

CF3C 750 E



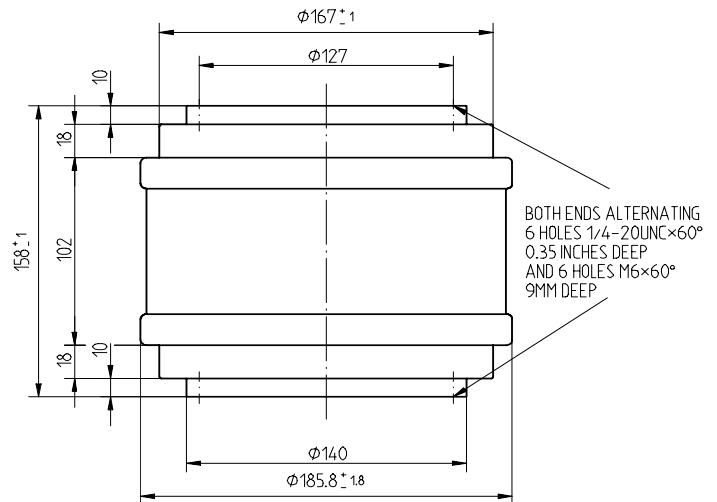
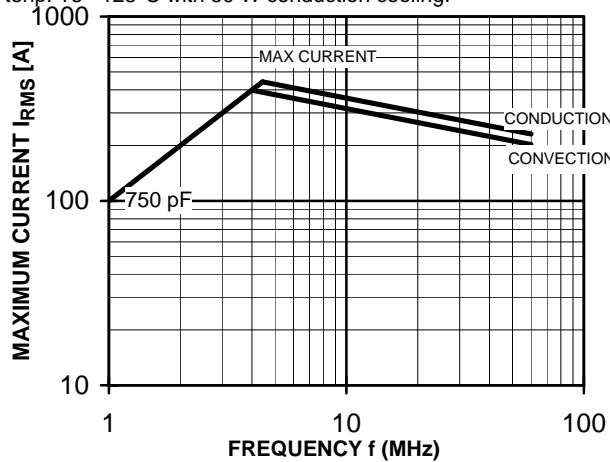
www.comet-technik.ch

Similar Type(s): ---

Issue: 22-Aug-2001

Vacuum Capacitor	Fixed
Capacitance nominal:	750 pF
Peak Test Voltage:	50/45/40 kV
Peak Working Voltage:	30/27/24 kV
Current IRMS at 13.56 MHz:	≤ 334 A
Flange:	---
Net Weight:	6.5 kg
Tolerance:	± 5%
Additional Documents:	SB 52

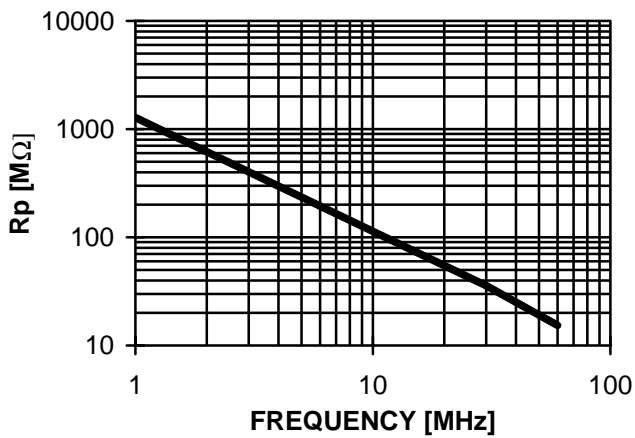
Max current at ambient temp. $T_a = 25\text{ }^\circ\text{C}$ and surface temp. $T_s = 125\text{ }^\circ\text{C}$ with 50 W conduction cooling.



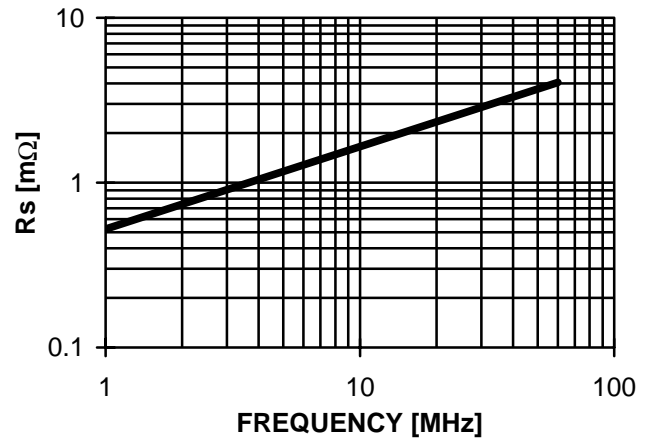
Subject to change without prior notice

S-1001 I-1001

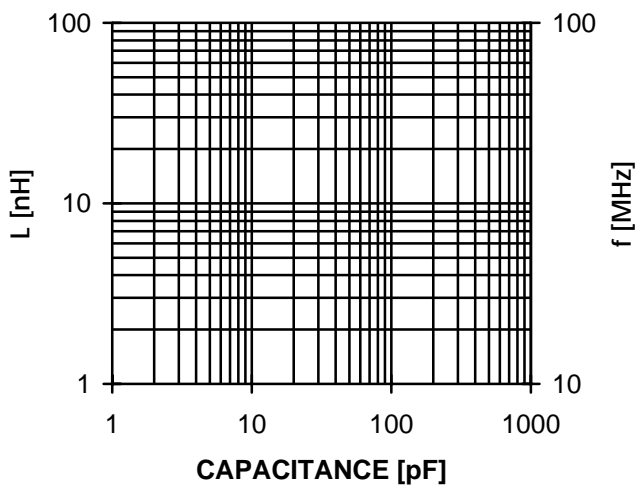
Parallel Resistance



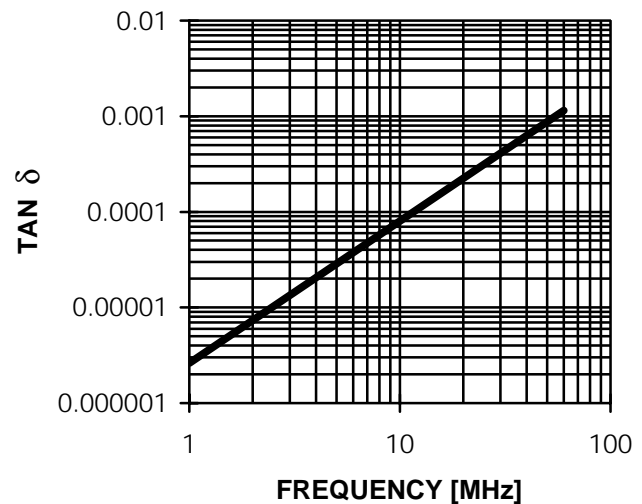
Series Resistance



INDUCTANCE AND SELF RESONANCE OF CAPACITOR



Loss Angle



Note: The inductance of the connections has not been considered in this measurement