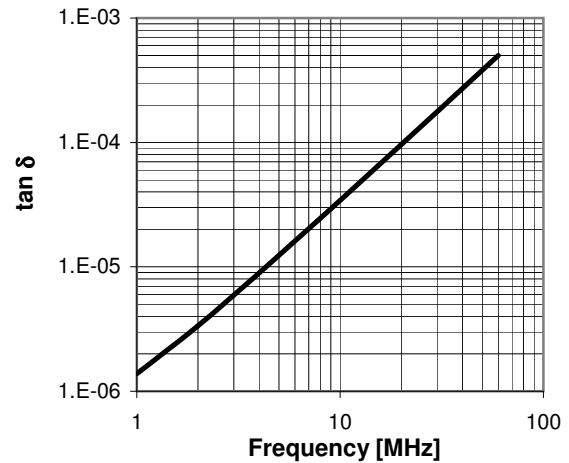
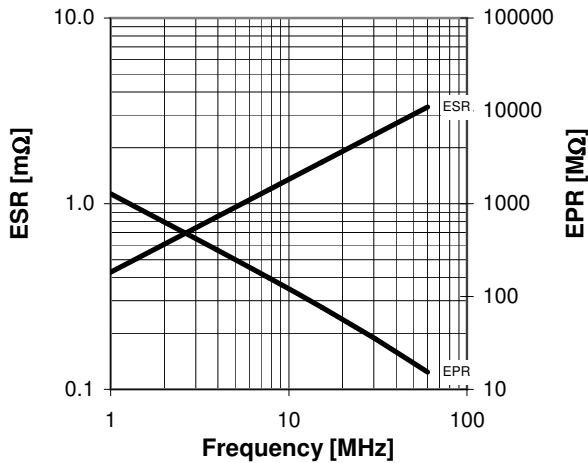
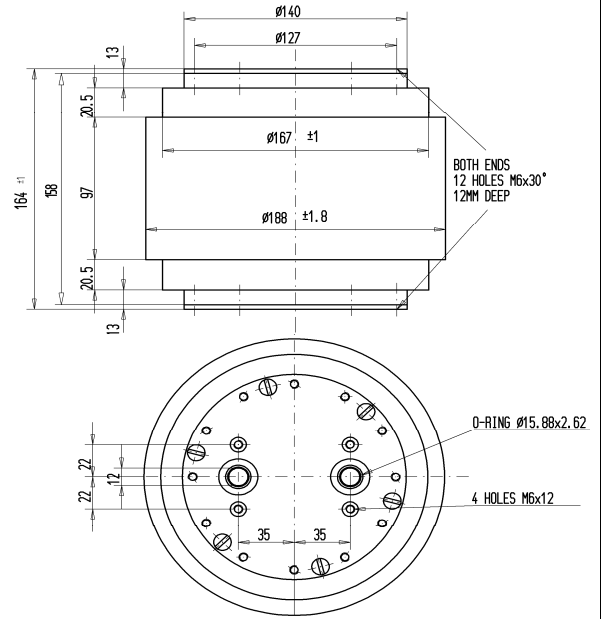
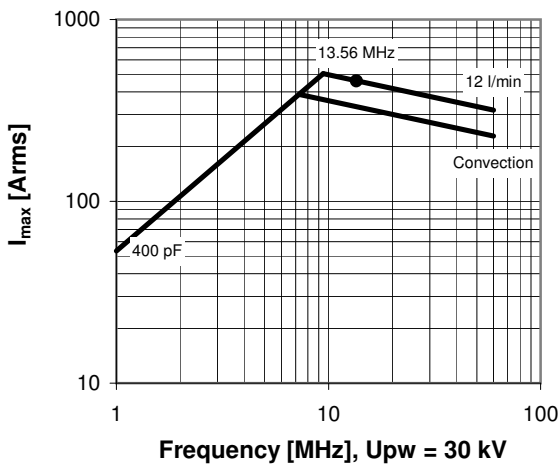


CFMA-400AAW/50-BC-GKR

Old Type Designation: CF3W-400E

Specifications	
Capacity C_{max} (nominal)	400 pF
Voltage (Peak Test U_{pt} / Peak Working U_{pw})	50 kV / 30 kV
Capacity Tolerance	5%
Max. Current I_{max} at 13.56 MHz with	459 Arms
Water Cooling	min. 12 l/min
Net Weight	7 kg

I_{max} for 12 l/min water cooling; max. water temp. at inlet: 70°C;
fixed end has to be water cooled with min. 4 l/min



Special Features:

Capacity Tolerance 5%, Anti-Corona-Rings,
Cooling Plate included