

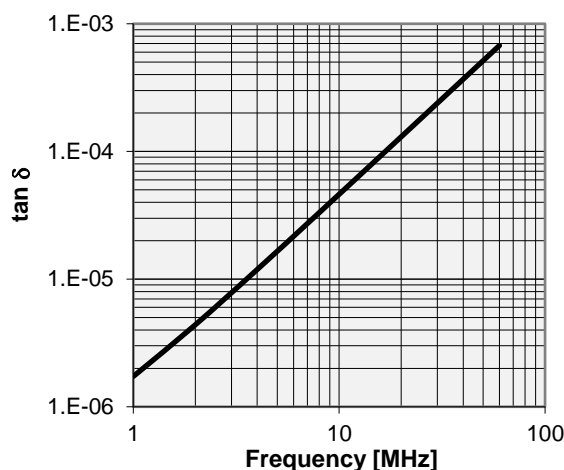
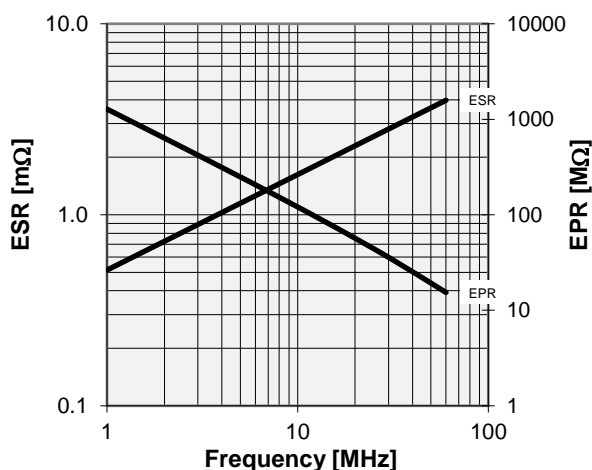
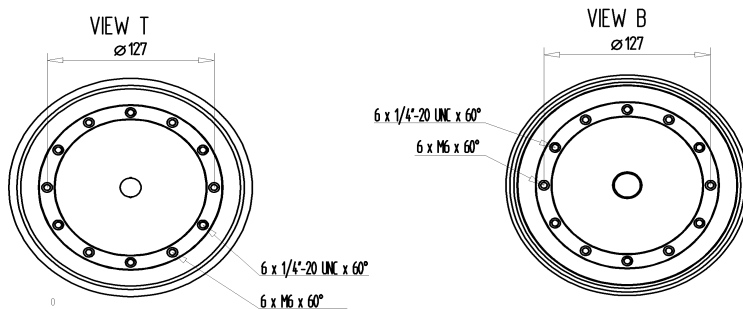
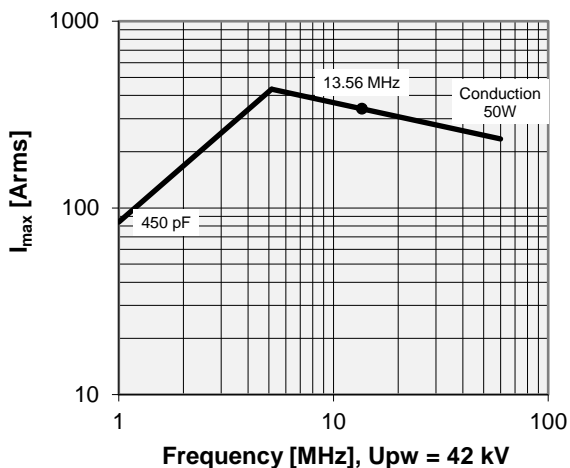
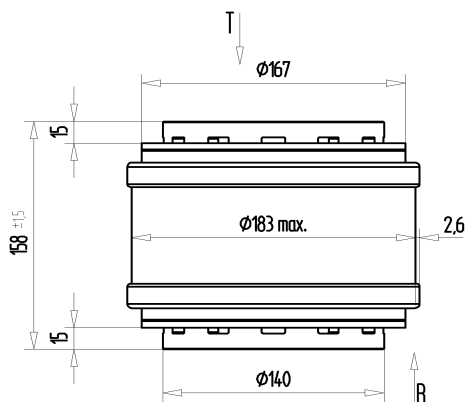
# CFMA-450AAC/70-BC-G

Old Type Designation: CF5C-450E

## Specifications

Capacity $C_{max}$ (nominal)	450 pF
Voltage (Peak Test $U_{pt}$ / Peak Working $U_{pw}$ )	70 kV / 42 kV
Capacity Tolerance	5%
Max. Current $I_{max}$ at 13.56 MHz with	339 Arms
Conduction Cooling	50 W
Net Weight	6.2 kg
Mounting Flange (optional)	

$I_{max}$  at 25°C ambient and 125°C surface temp. for convection and conduction (50 W) cooling



**Special Features:**  
Capacity Tolerance 5%

Note:  
Technical information in Service Bulletin  
SB-52 must be considered  
Subject to change without prior notice