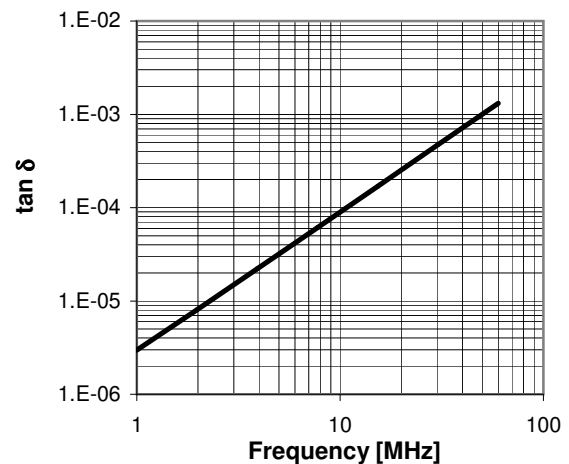
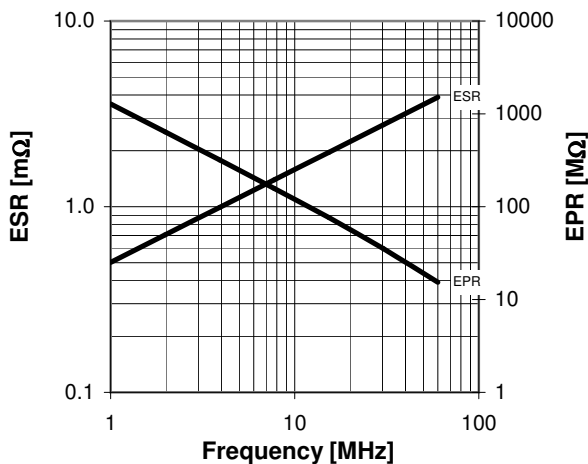
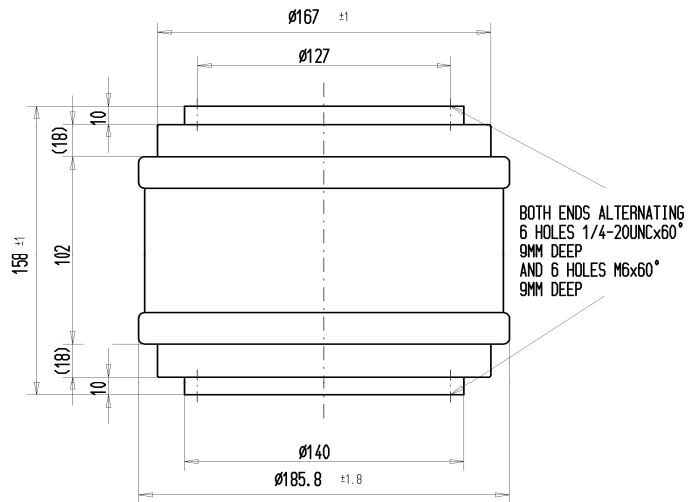
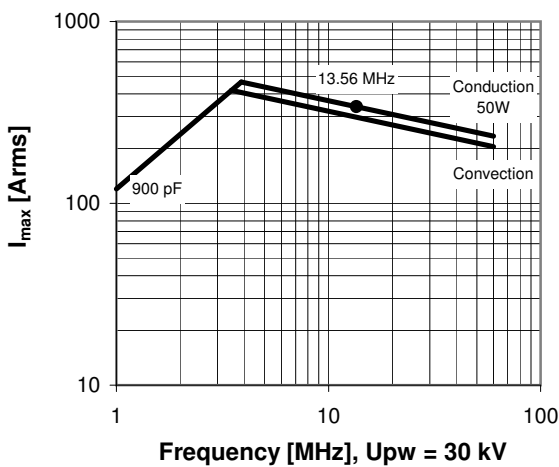


CFMA-900AAC/50-BC-G

Old Type Designation: CF3C-900E

Specifications	
Capacity C_{max} (nominal)	900 pF
Voltage (Peak Test U_{pt} / Peak Working U_{pw})	50 kV / 30 kV
Capacity Tolerance	5%
Max. Current I_{max} at 13.56 MHz with	339 Arms
Conduction Cooling	50 W
Net Weight	6.4 kg

I_{max} at 25°C ambient and 125°C surface temp. for convection and conduction (50 W) cooling



Type Ordering Information:	Upt
CFMA-900AAC/50-BC-G	50 kV
CFMA-900AAC/45-BC-G	45 kV
CFMA-900AAC/40-BC-G	40 kV

Special Features:
Capacity Tolerance 5%