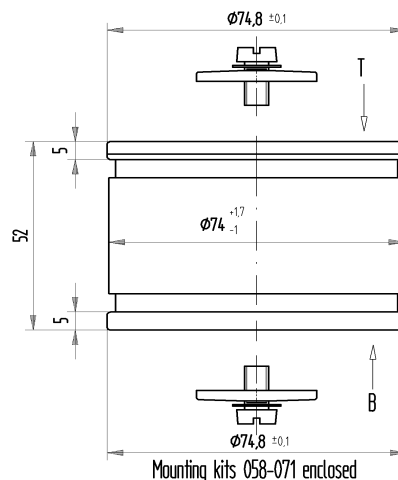


CFMN-1000BAC/10-DE-G

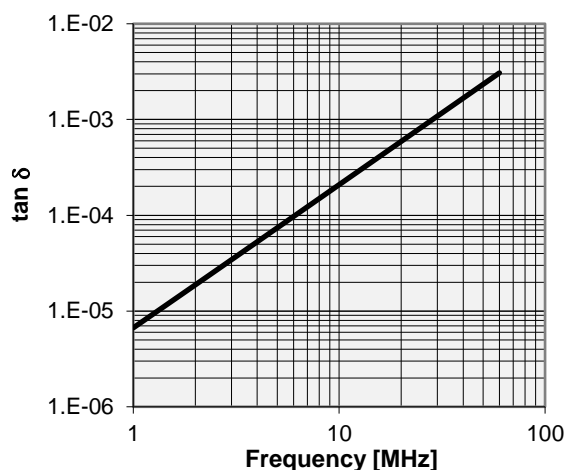
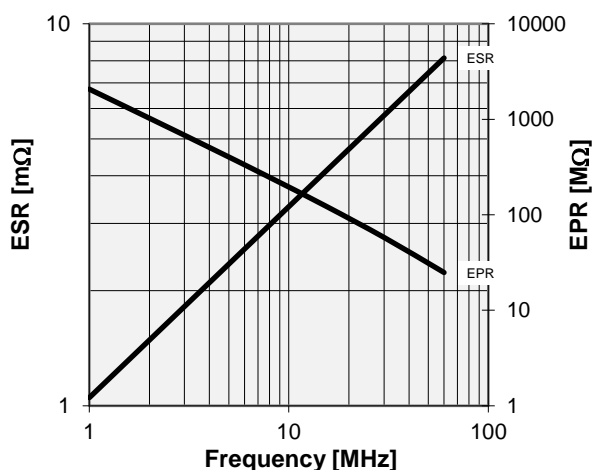
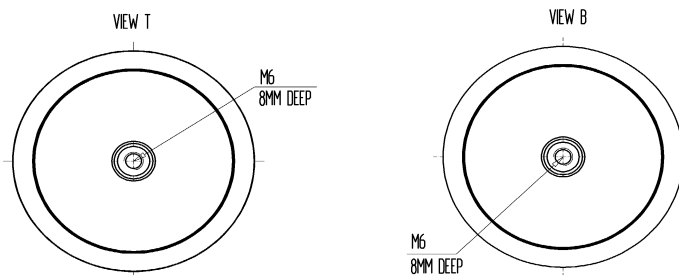
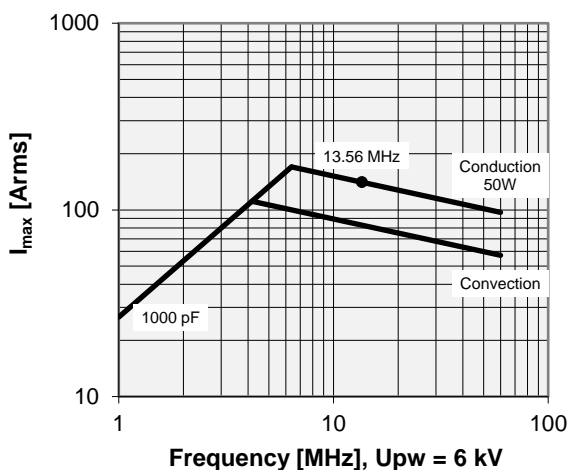
Old Type Designation: MC08C-1000E

Specifications

Capacity C_{max} (nominal)	1000 pF
Voltage (Peak Test U_{pt} / Peak Working U_{pw})	10 kV / 6 kV
Capacity Tolerance	5%
Max. Current I_{max} at 13.56 MHz with	140 Arms
Conduction Cooling	50 W
Net Weight	0.63 kg



I_{max} at 25°C ambient and 125°C surface temp. for convection and conduction (50 W) cooling



Type Ordering Information:	Upt
CFMN-1000BAC/10-DE-G	10 kV

Special Features:
Capacity Tolerance 5%

Note:
 Technical information in Service Bulletin
 SB-52 must be considered
 Subject to change without prior notice

Issue: 15-Jun-2004
 Replaces: 25-Nov-2003
 pct.comet.tech