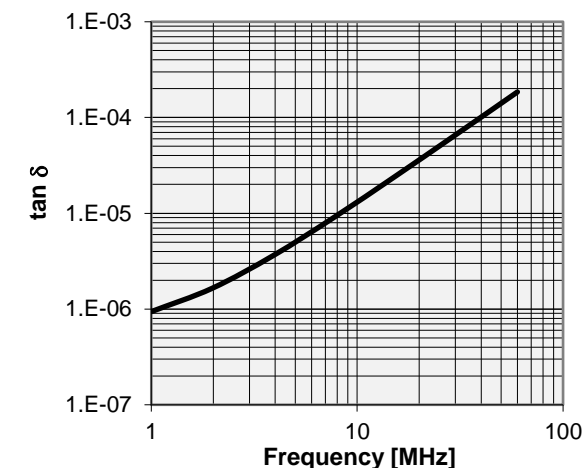
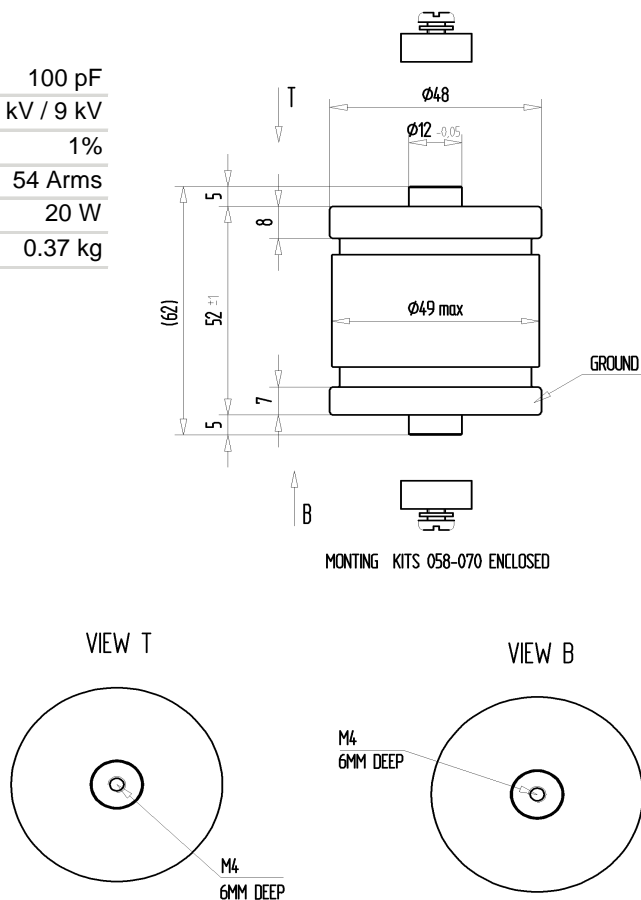
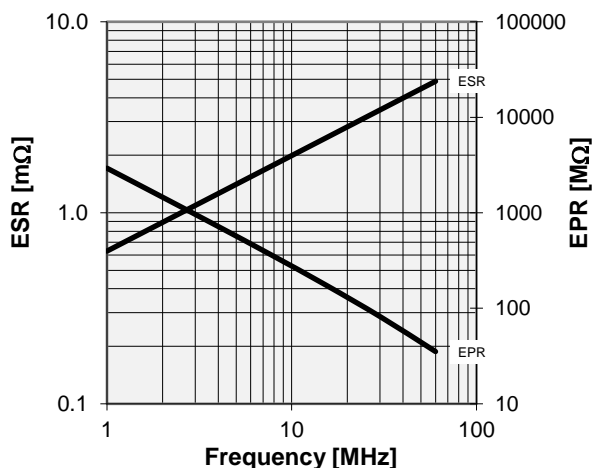
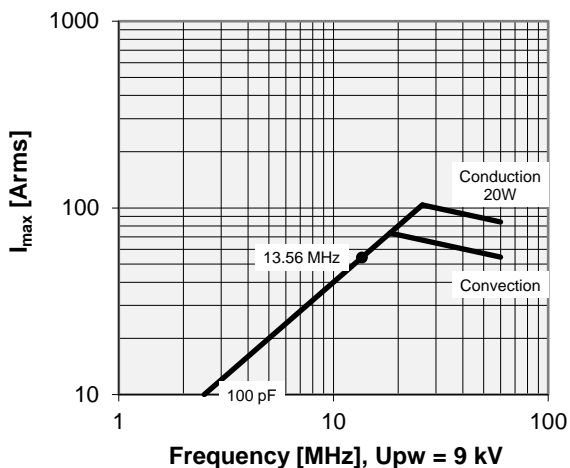


CFMN-100CAC/15-AF-E

Specifications

Capacity C_{max} (nominal)	100 pF
Voltage (Peak Test U_{pt} / Peak Working U_{pw})	15 kV / 9 kV
Capacity Tolerance	1%
Max. Current I_{max} at 13.56 MHz with	54 Arms
Conduction Cooling	20 W
Net Weight	0.37 kg

I_{max} at 25°C ambient and 125°C surface temp. for convection and conduction (20 W) cooling



Special Features:
Capacity Tolerance 1%

Note:
Technical information in Service Bulletin
SB-52 must be considered
Subject to change without prior notice

Issue: 18-Feb-2008
Replaces: 07-Apr-2006
 pct.comet.tech