

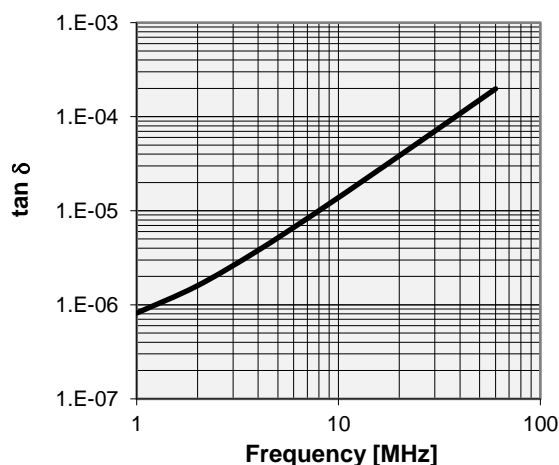
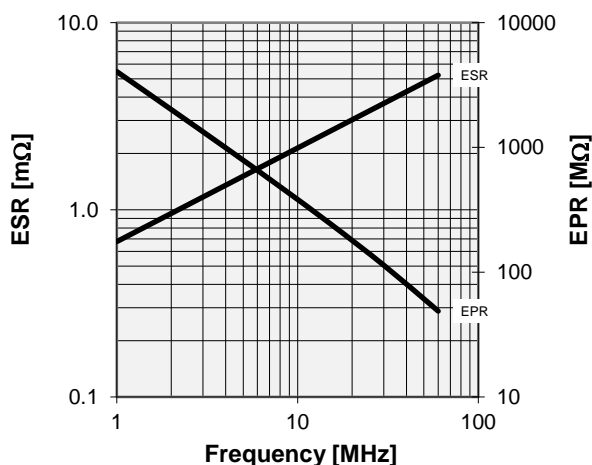
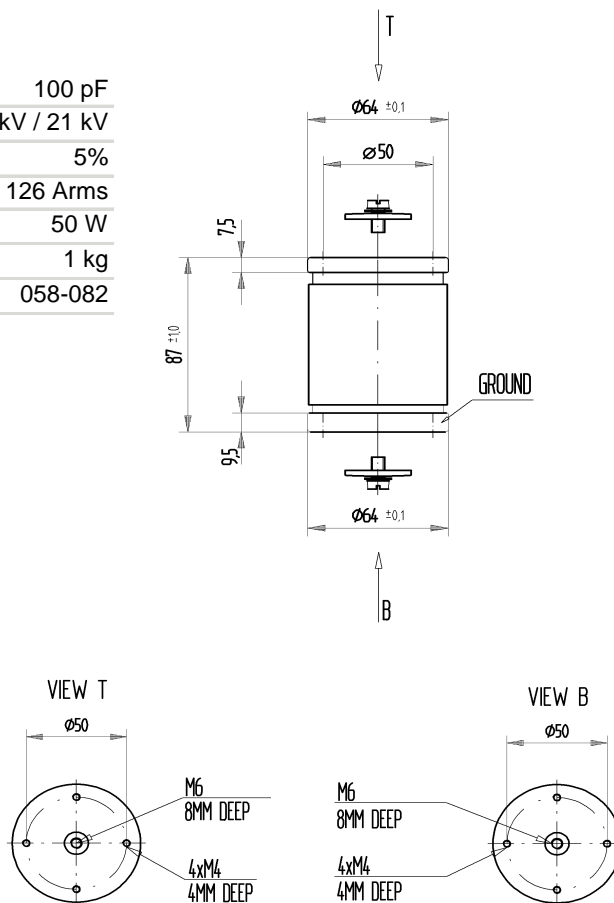
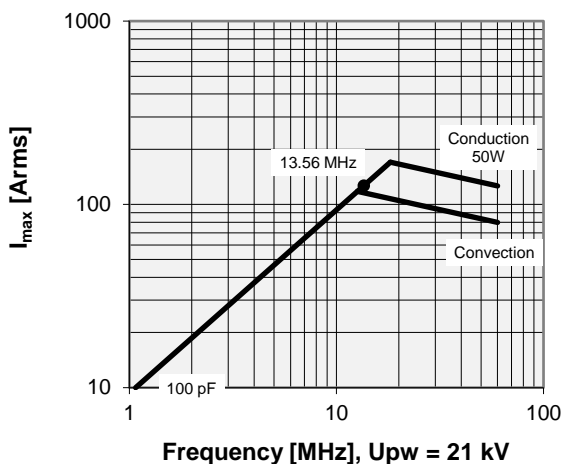
CFMN-100EAC/35-DH-G

Old Type Designation: MC3C-100E

Specifications

Capacitance C_{max} (nominal)	100 pF
Voltage (Peak Test U_{pt} / Peak Working U_{pw})	35 kV / 21 kV
Capacitance Tolerance	5%
Max. Current I_{max} at 13.56 MHz with	126 Arms
Conduction Cooling	50 W
Net Weight	1 kg
Extension Rod (optional)	058-082

I_{max} at 25°C ambient and 125°C surface temp. for convection and conduction (50 W) cooling



Special Features:
Capacity Tolerance 5%, RoHS Compliant

Note:
Technical information in Service Bulletin
SB-52 must be considered
Subject to change without prior notice