

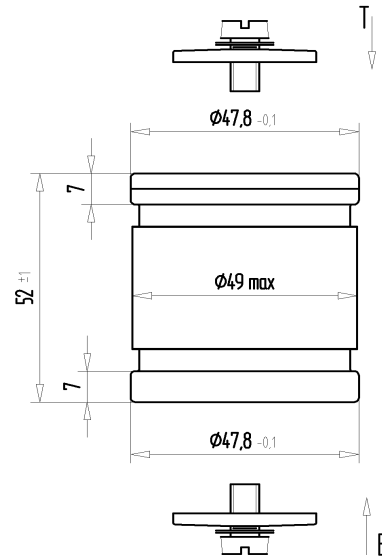
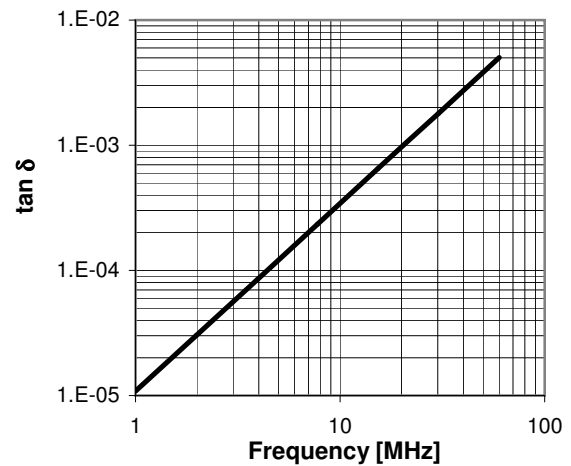
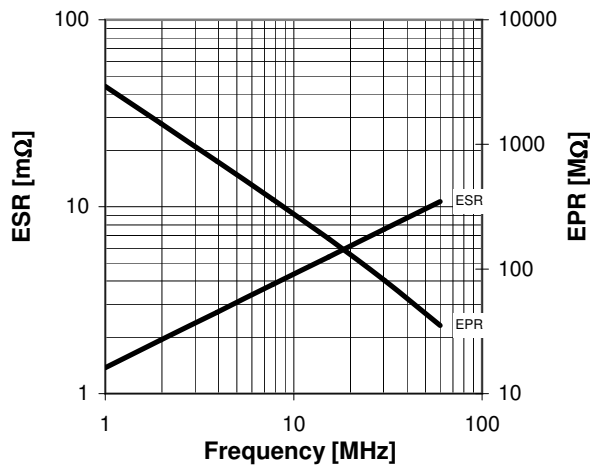
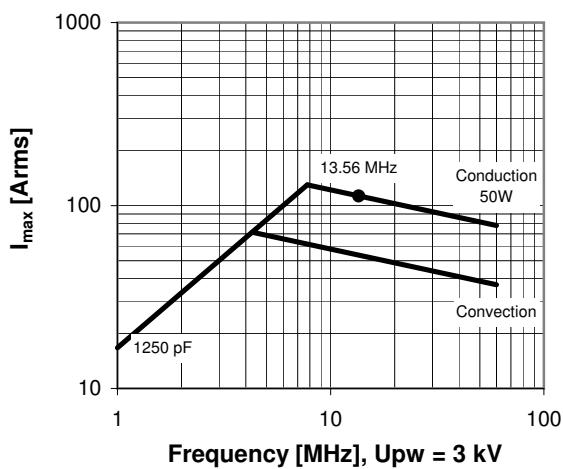
## CFMN-1250AAC/5-DE-G

Old Type Designation: MC05C-1250E

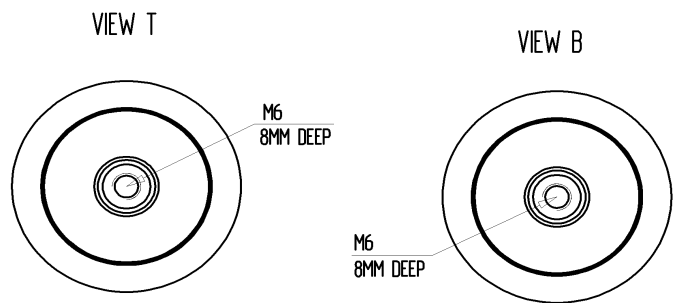
### Specifications

Capacity $C_{max}$ (nominal)	1250 pF
Voltage (Peak Test $U_{pt}$ / Peak Working $U_{pw}$ )	5 kV / 3 kV
Capacity Tolerance	5%
Max. Current $I_{max}$ at 13.56 MHz with	112 Arms
Conduction Cooling	50 W
Net Weight	0.4 kg

$I_{max}$  at 25°C ambient and 125°C surface temp. for convection and conduction (50 W) cooling



MOUNTING KITS 058-071 ENCLOSED



### Special Features:

Capacity Tolerance 5%, RoHS Compliant

Subject to change without prior notice

Note: Technical information in Service Bulletin  
SB-52 must be considered