

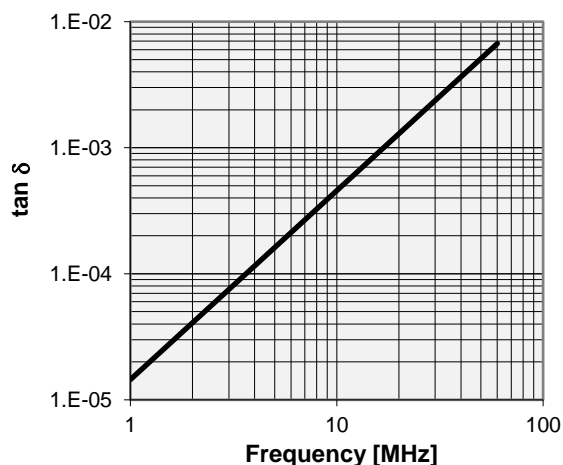
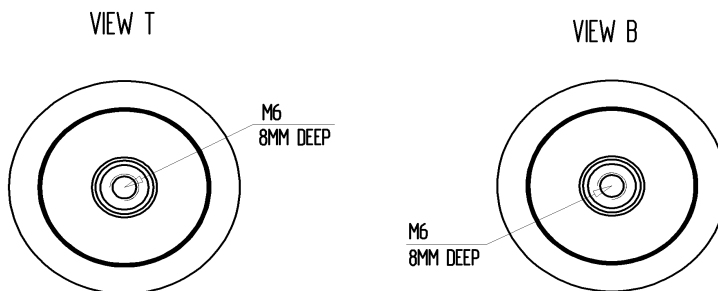
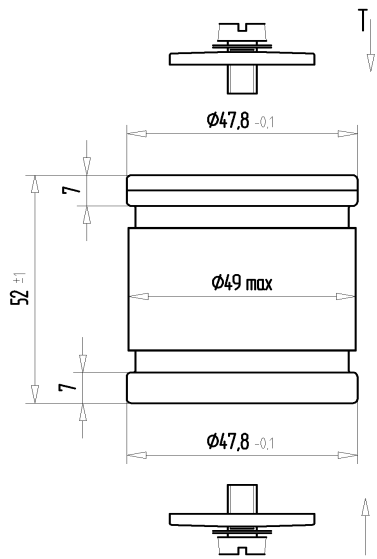
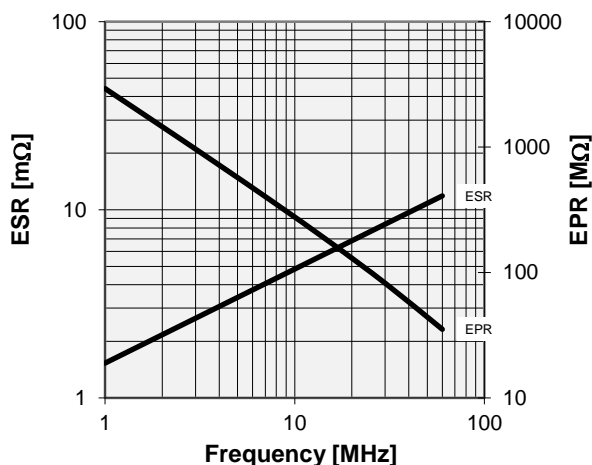
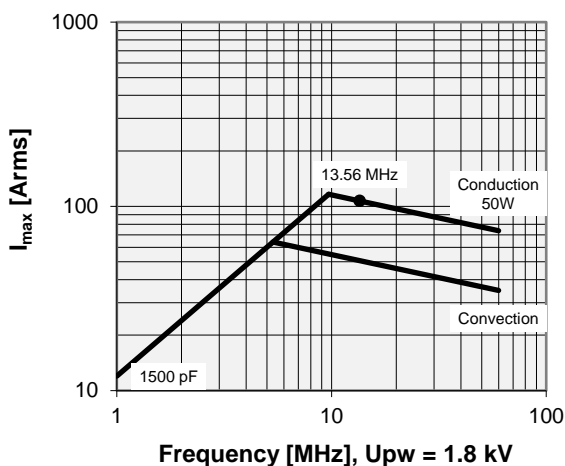
CFMN-1500AAC/3-DE-G

Old Type Designation: MC05C-1500E

Specifications

Capacity C_{max} (nominal)	1500 pF
Voltage (Peak Test U_{pt} / Peak Working U_{pw})	3 kV / 1.8 kV
Capacity Tolerance	5%
Max. Current I_{max} at 13.56 MHz with	106 Arms
Conduction Cooling	50 W
Net Weight	0.4 kg

I_{max} at 25°C ambient and 125°C surface temp. for convection and conduction (50 W) cooling



Special Features:
Capacity Tolerance 5%, RoHS Compliant