

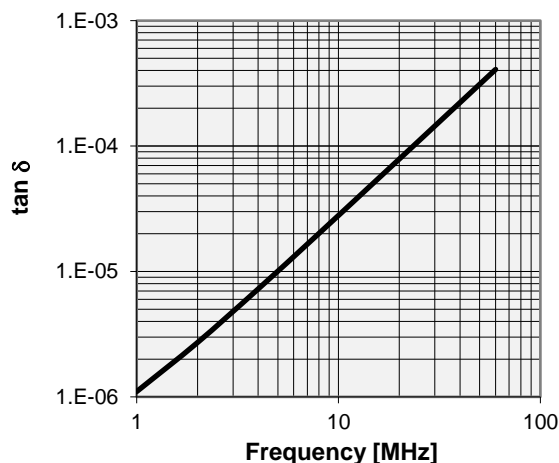
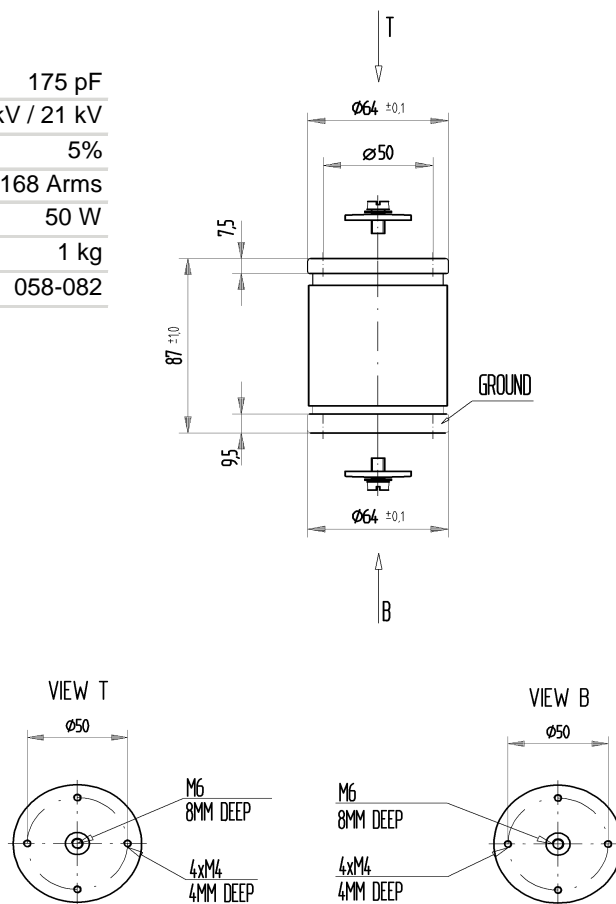
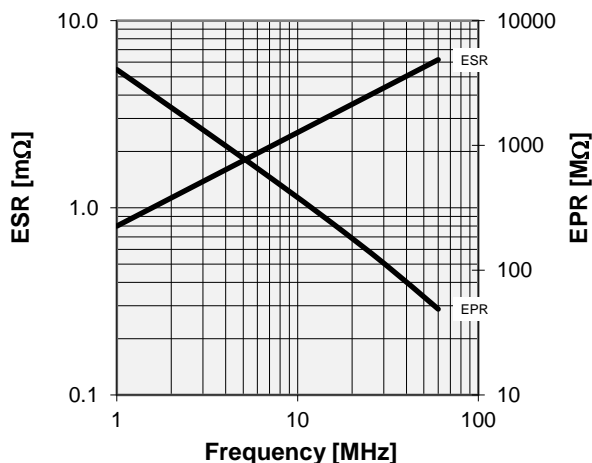
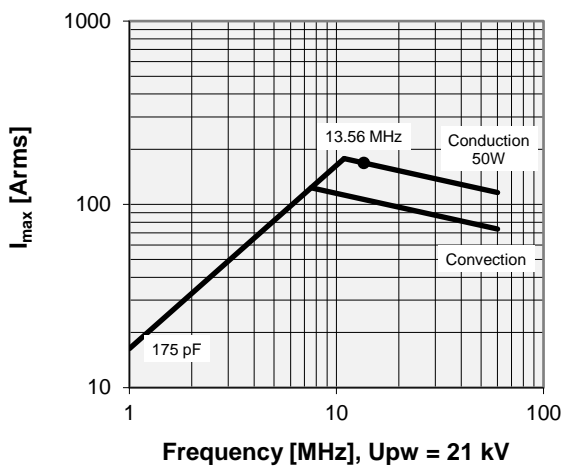
CFMN-175EAC/35-DH-G

Old Type Designation: MC3C-175E

Specifications

Capacitance C_{max} (nominal)	175 pF
Voltage (Peak Test U_{pt} / Peak Working U_{pw})	35 kV / 21 kV
Capacitance Tolerance	5%
Max. Current I_{max} at 13.56 MHz with	168 Arms
Conduction Cooling	50 W
Net Weight	1 kg
Extension Rod (optional)	058-082

I_{max} at 25°C ambient and 125°C surface temp. for convection and conduction (50 W) cooling



Special Features:
Capacity Tolerance 5%, RoHS Compliant