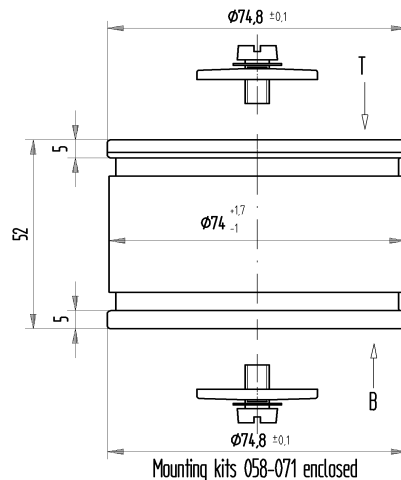


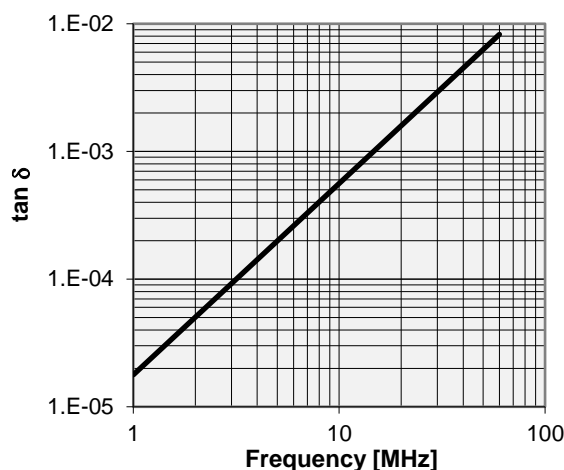
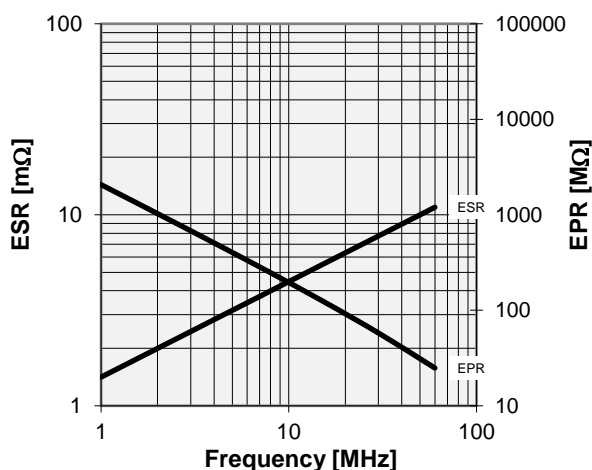
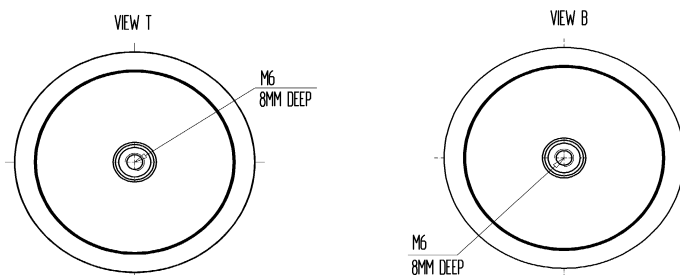
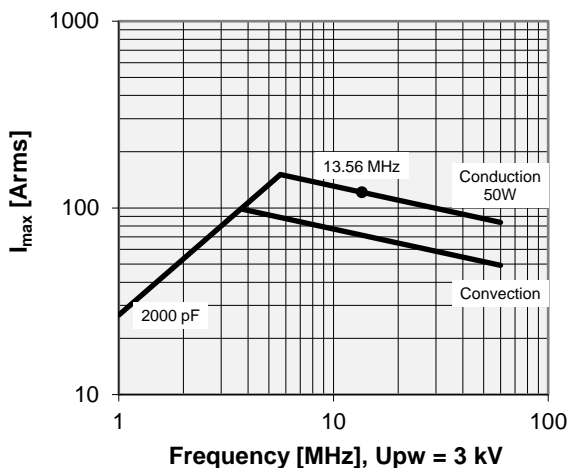
CFMN-2000BAC/5-DE-G

Specifications

Capacity C_{max} (nominal)	2000 pF
Voltage (Peak Test U_{pt} / Peak Working U_{pw})	5 kV / 3 kV
Capacity Tolerance	5%
Max. Current I_{max} at 13.56 MHz with	121 Arms
Conduction Cooling	50 W
Net Weight	0.66 kg



I_{max} at 25°C ambient and 125°C surface temp. for convection and conduction (50 W) cooling



Special Features:

Capacity Tolerance 5%

Note:

Technical information in Service Bulletin
 SB-52 must be considered
 Subject to change without prior notice

Issue: 19-Feb-2008
 Replaces: 15-Jun-2004

pct.comet.tech