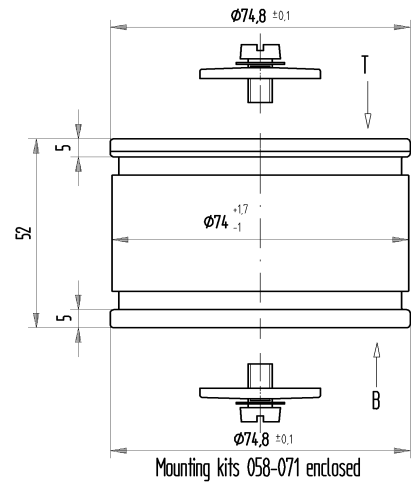


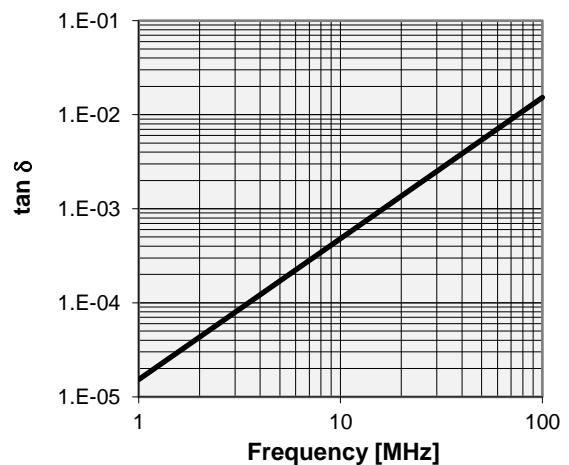
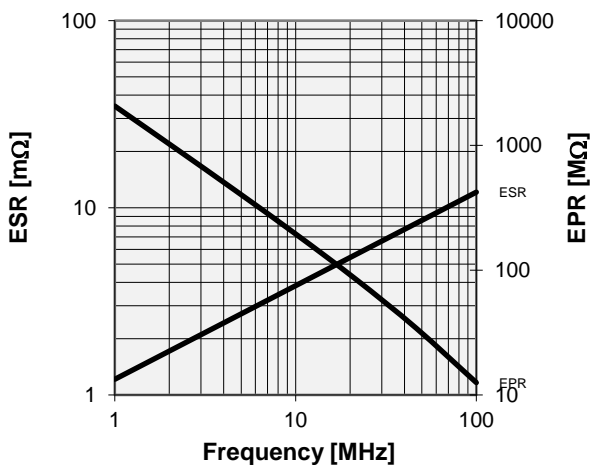
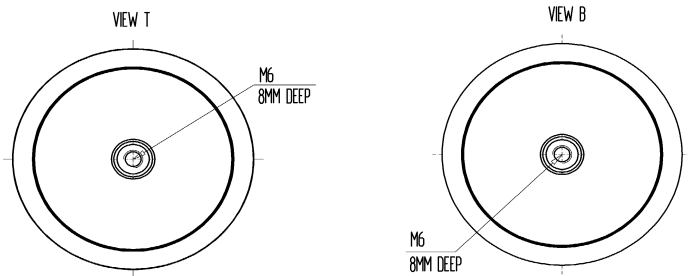
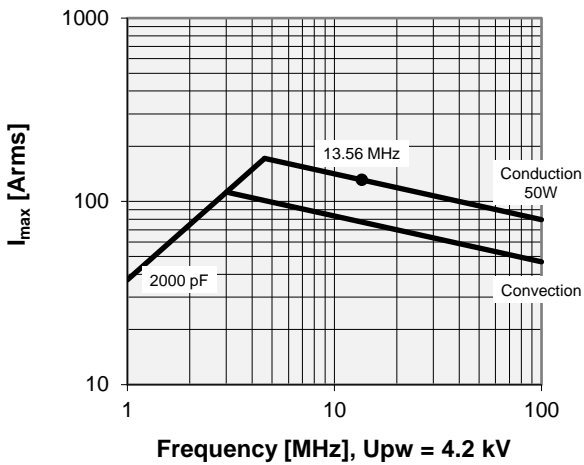
CFMN-2000BBC/7-DE-G

Specifications

| | |
|---|---------------|
| Capacitance C_{max} (nominal) | 2000 pF |
| Voltage (Peak Test U_{pt} / Peak Working U_{pw}) | 7 kV / 4.2 kV |
| Capacitance Tolerance | 5% |
| Max. Current I_{max} at 13.56 MHz with | 130 Arms |
| Conduction Cooling | 50 W |
| Net Weight | 0.7 kg |



I_{max} at 25°C ambient and 125°C surface temp. for convection and conduction (50 W) cooling



Special Features:
Capacity Tolerance 5%, RoHS Compliant