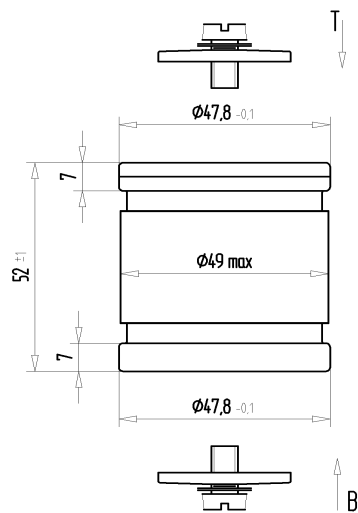
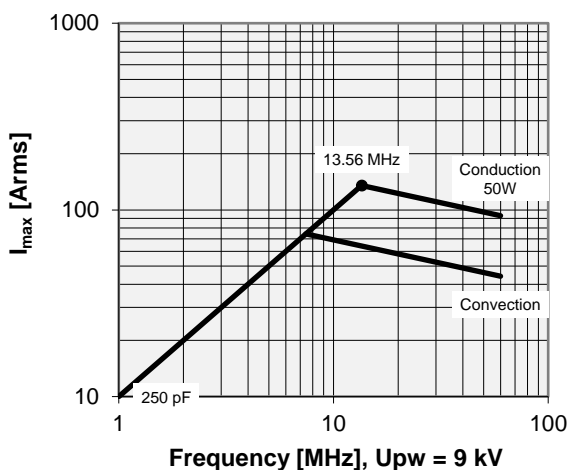


CFMN-250AAC/15-DE-E

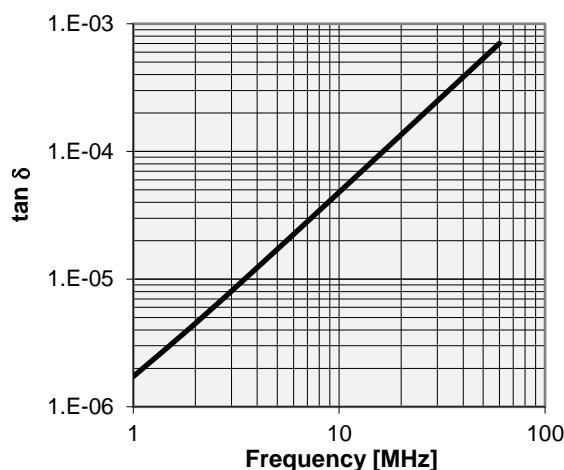
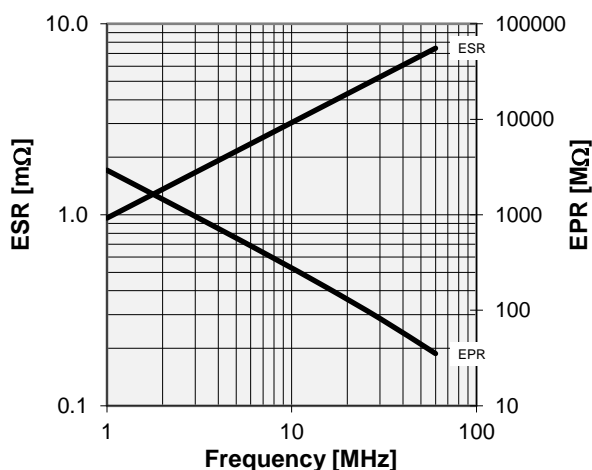
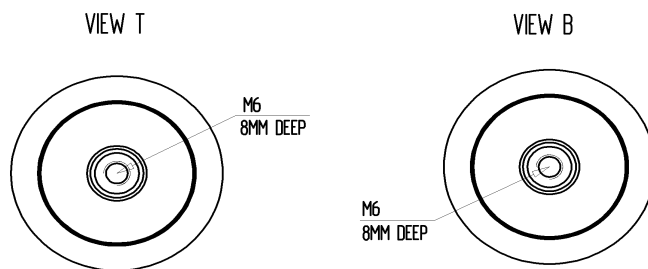
Specifications

Capacity C_{max} (nominal)	250 pF
Voltage (Peak Test U_{pt} / Peak Working U_{pw})	15 kV / 9 kV
Capacity Tolerance	1%
Max. Current I_{max} at 13.56 MHz with	134 Arms
Conduction Cooling	50 W
Net Weight	0.4 kg

I_{max} at 25°C ambient and 125°C surface temp. for convection and conduction (50 W) cooling



MOUNTING KITS 058-071 ENCLOSED



Special Features:
Capacity Tolerance 1%

Note:
 Technical information in Service Bulletin
 SB-52 must be considered
 Subject to change without prior notice

Issue: 18-Feb-2008
 Replaces: 07-Apr-2006
 pct.comet.tech