

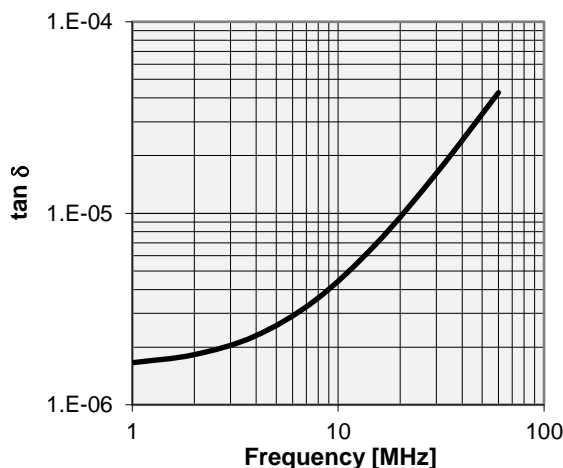
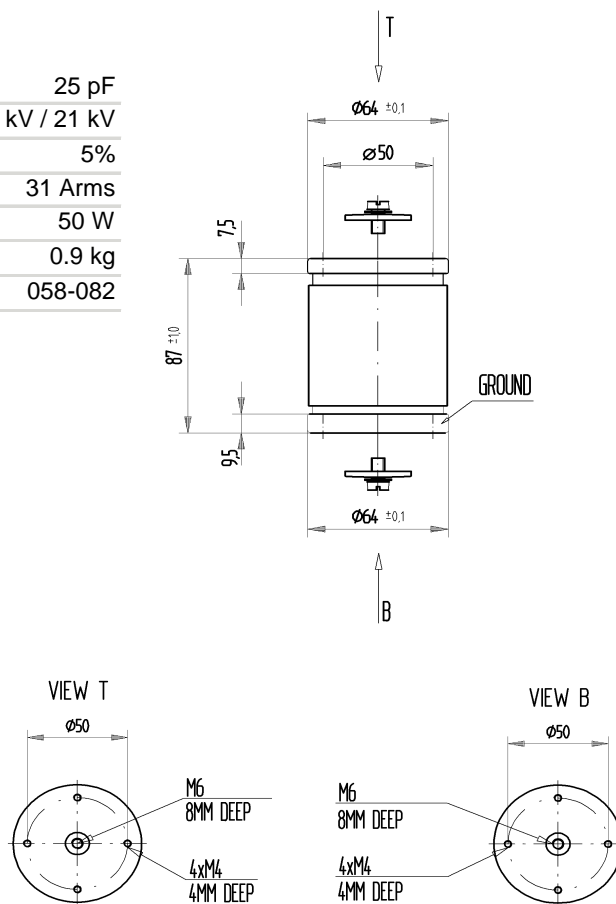
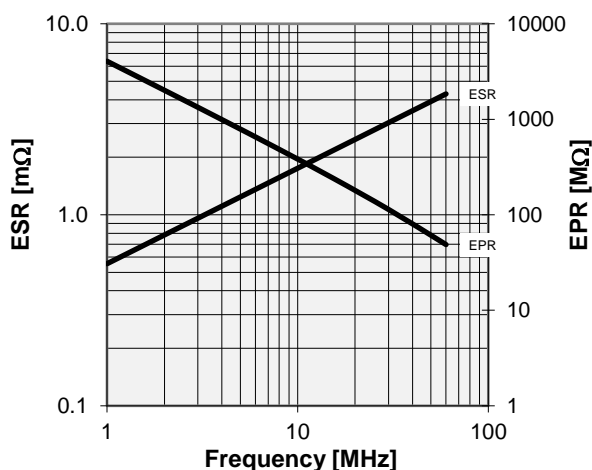
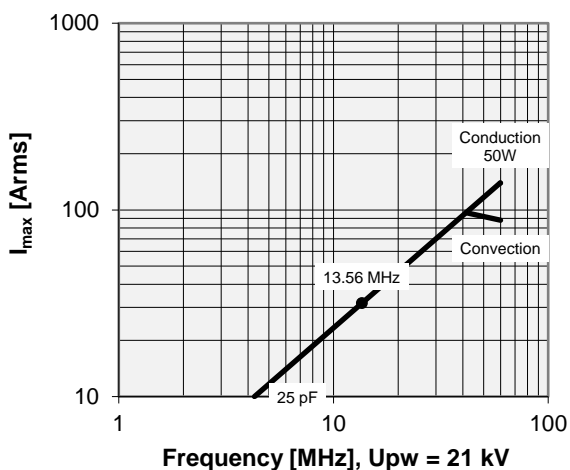
CFMN-25EAC/35-DH-G

Old Type Designation: MC3C-25E

Specifications

Capacity C_{max} (nominal)	25 pF
Voltage (Peak Test U_{pt} / Peak Working U_{pw})	35 kV / 21 kV
Capacity Tolerance	5%
Max. Current I_{max} at 13.56 MHz with	31 Arms
Conduction Cooling	50 W
Net Weight	0.9 kg
Extension Rod (optional)	058-082

I_{max} at 25°C ambient and 125°C surface temp. for convection and conduction (50 W) cooling



Type Ordering Information:	Upt
CFMN-25EAC/35-DH-G	35 kV

Special Features:
Capacity Tolerance 5%

Note:
 Technical information in Service Bulletin
 SB-52 must be considered
 Subject to change without prior notice

Issue: 17-Feb-2005