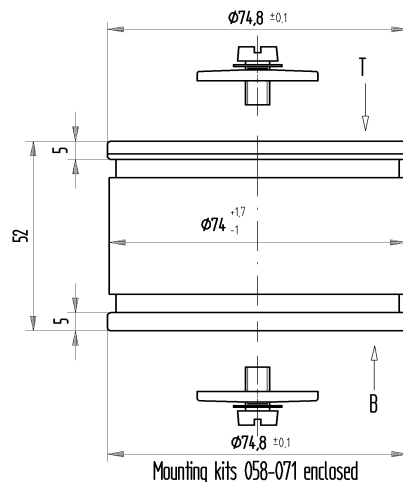


# CFMN-2700BAC/5-DE-G

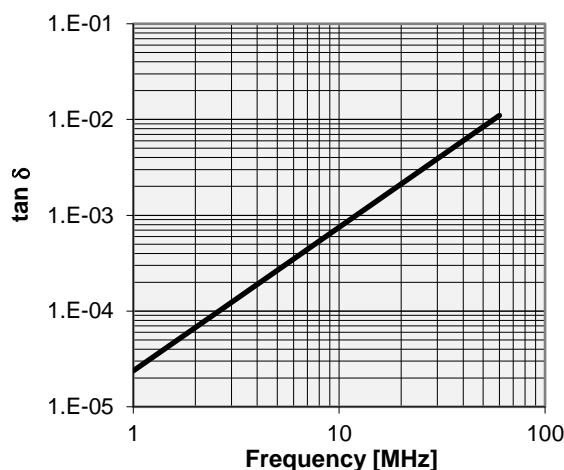
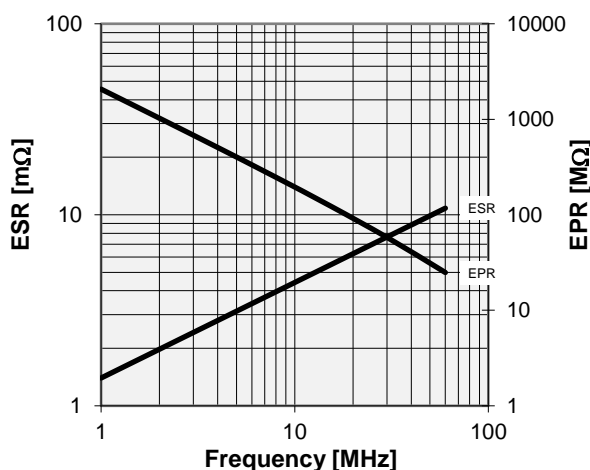
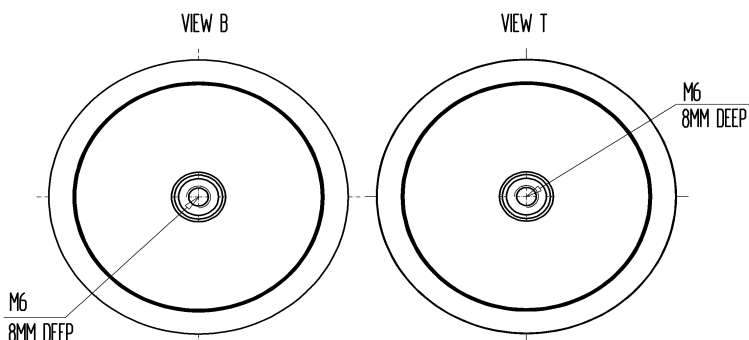
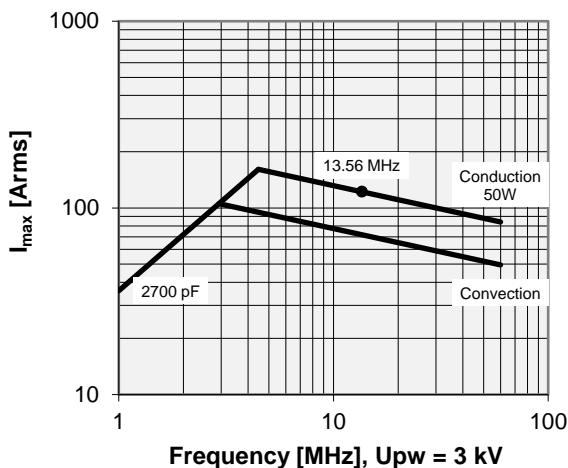
Old Type Designation: MC08C-2700E

## Specifications

Capacity $C_{max}$ (nominal)	2700 pF
Voltage (Peak Test $U_{pt}$ / Peak Working $U_{pw}$ )	5 kV / 3 kV
Capacity Tolerance	5%
Max. Current $I_{max}$ at 13.56 MHz with	121 Arms
Conduction Cooling	50 W
Net Weight	0.73 kg



$I_{max}$  at 25°C ambient and 125°C surface temp. for convection and conduction (50 W) cooling



<b>Type Ordering Information:</b>	<b>Upt</b>
CFMN-2700BAC/5-DE-G	5 kV

<b>Special Features:</b>
Capacity Tolerance 5%

Note:  
 Technical information in Service Bulletin  
 SB-52 must be considered  
 Subject to change without prior notice

Issue: 20-Jan-2005  
 Replaces: 25-Nov-2003  
 pct.comet.tech