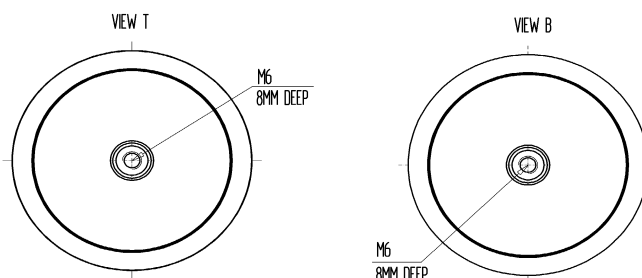
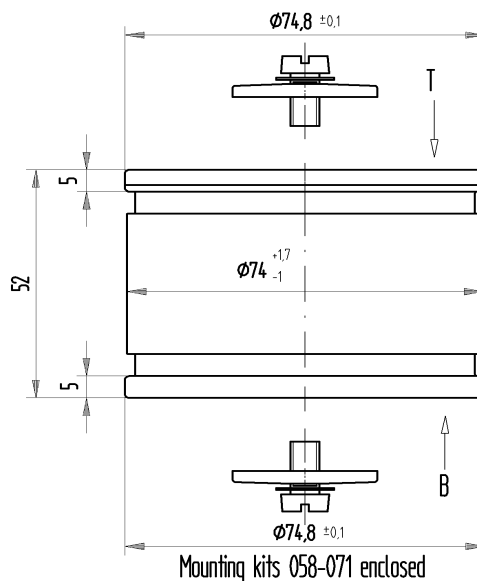
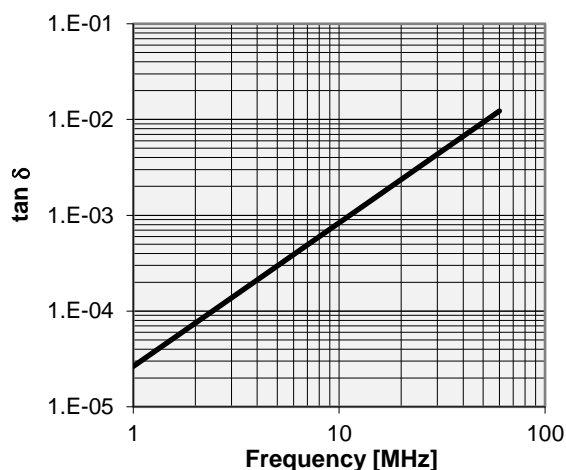
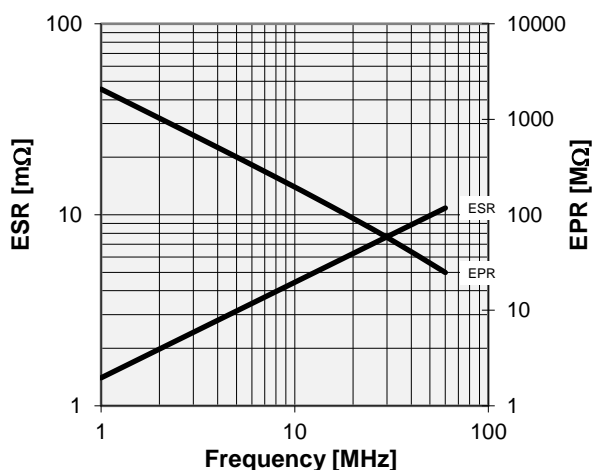
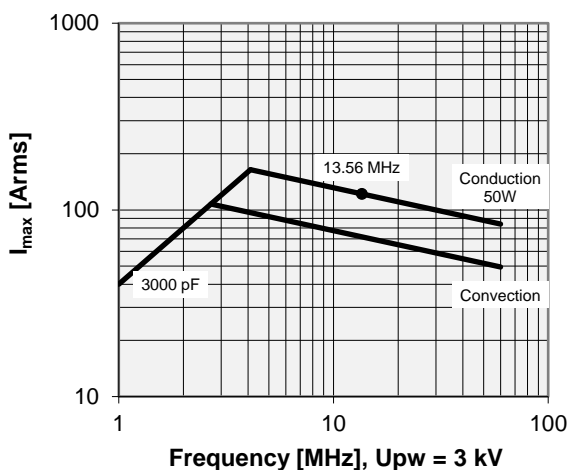


CFMN-3000BAC/5-DE-G

Specifications

Capacity C_{max} (nominal)	3000 pF
Voltage (Peak Test U_{pt} / Peak Working U_{pw})	5 kV / 3 kV
Capacity Tolerance	5%
Max. Current I_{max} at 13.56 MHz with	121 Arms
Conduction Cooling	50 W
Net Weight	0.78 kg

I_{max} at 25°C ambient and 125°C surface temp. for convection and conduction (50 W) cooling



Special Features:
Capacity Tolerance 5%, RoHS Compliant

Note:
Technical information in Service Bulletin
SB-52 must be considered
Subject to change without prior notice