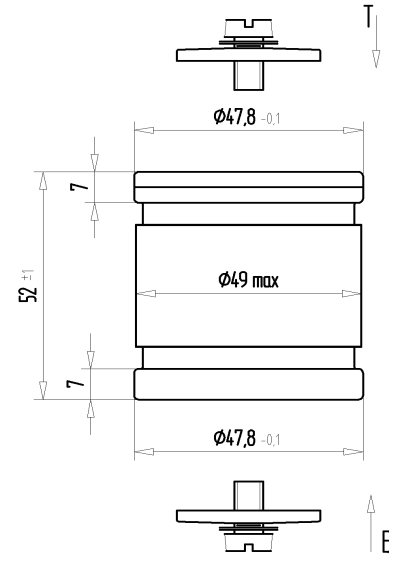
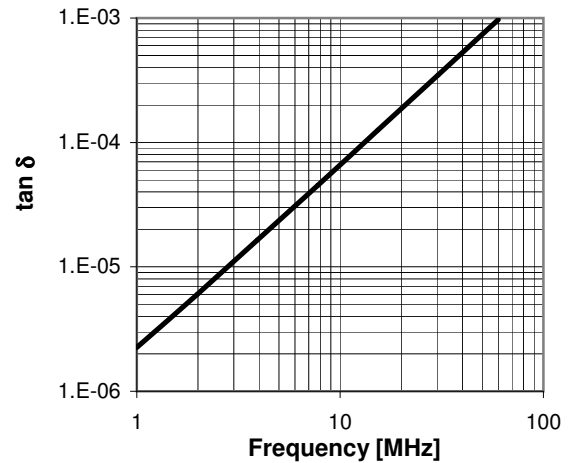
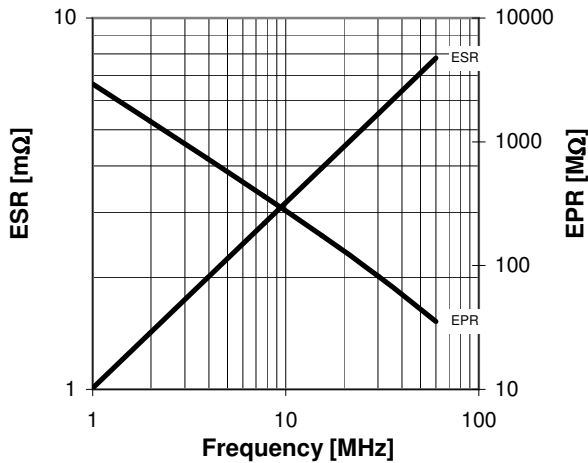
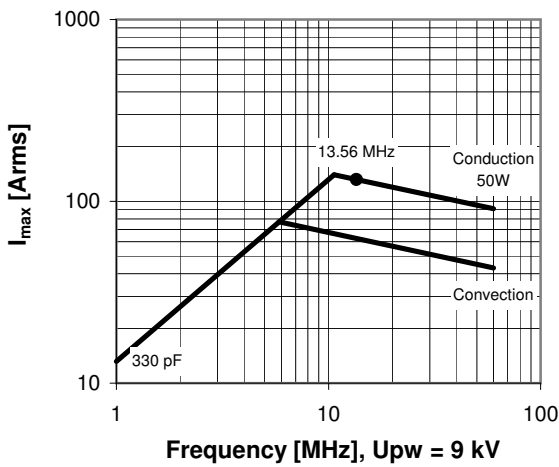


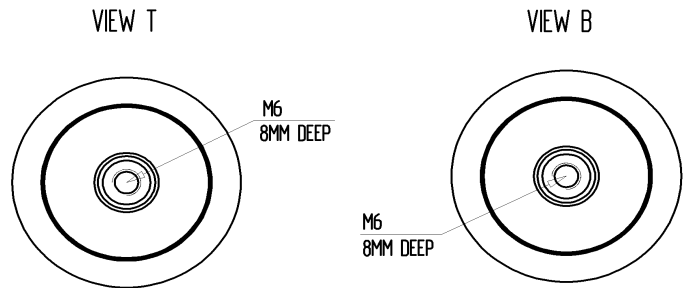
CFMN-330AAC/15-DE-F

Specifications	
Capacity C_{max} (nominal)	330 pF
Voltage (Peak Test U_{pt} / Peak Working U_{pw})	15 kV / 9 kV
Capacity Tolerance	3%
Max. Current I_{max} at 13.56 MHz with Conduction Cooling	131 Arms 50 W
Net Weight	0.39 kg

I_{max} at 25°C ambient and 125°C surface temp. for convection and conduction (50 W) cooling



MOUNTING KITS 058-071 ENCLOSED



Special Features:
Capacity Tolerance 3%, RoHS Compliant

Subject to change without prior notice

Note: Technical information in Service Bulletin
SB-52 must be considered