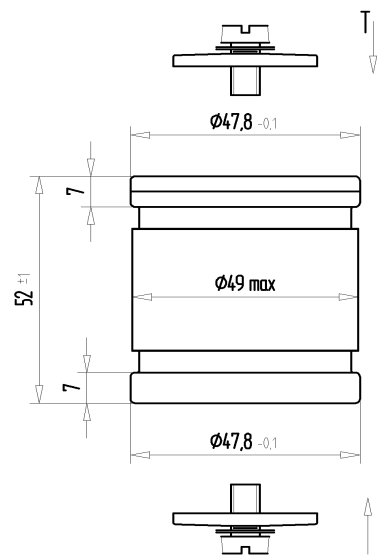
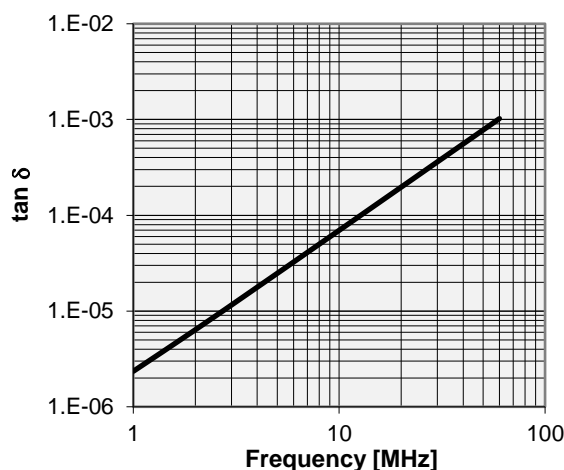
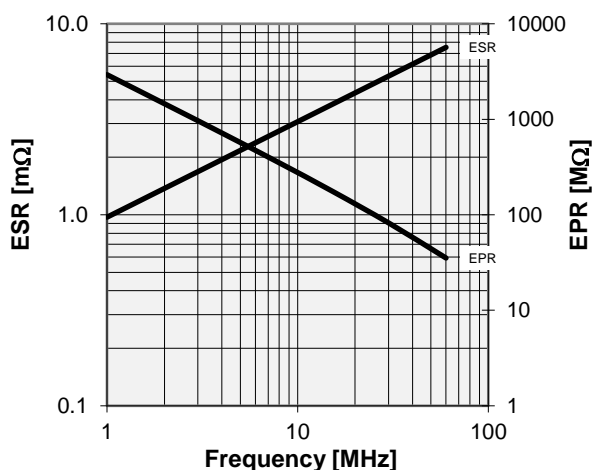
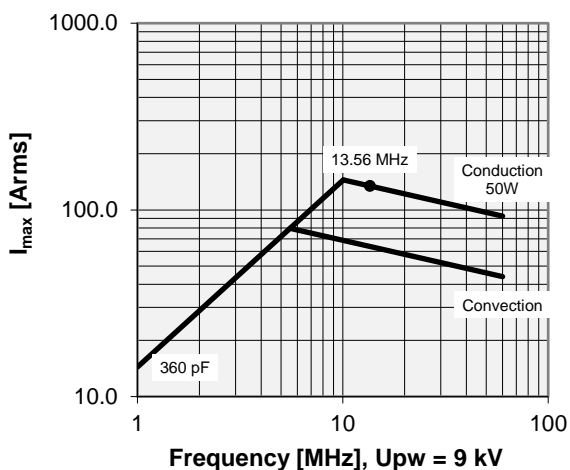


# CFMN-360AAC/15-DE-F

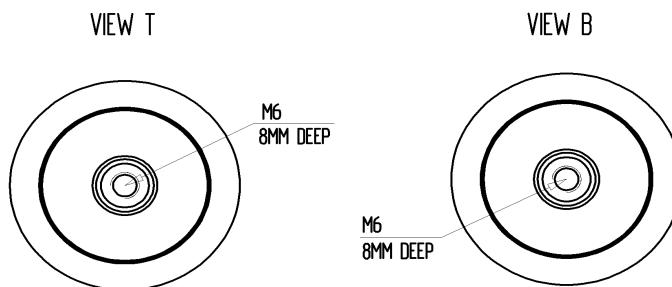
## Specifications

Capacity $C_{max}$ (nominal)	360 pF
Voltage (Peak Test $U_{pt}$ / Peak Working $U_{pw}$ )	15 kV / 9 kV
Capacity Tolerance	3%
Max. Current $I_{max}$ at 13.56 MHz with	134 Arms
Conduction Cooling	50 W
Net Weight	0.4 kg

$I_{max}$  at 25°C ambient and 125°C surface temp. for convection and conduction (50 W) cooling



MOUNTING KITS 058-071 ENCLOSED



### Special Features:

Capacity Tolerance 3%