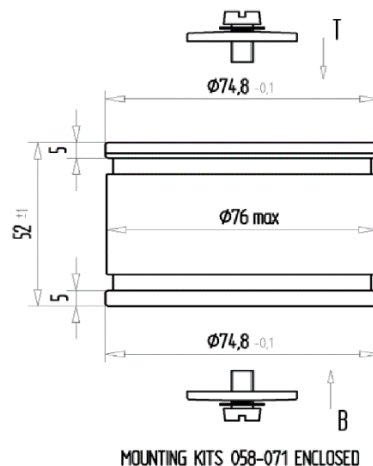


CFMN-4000BAC/5-DE-G

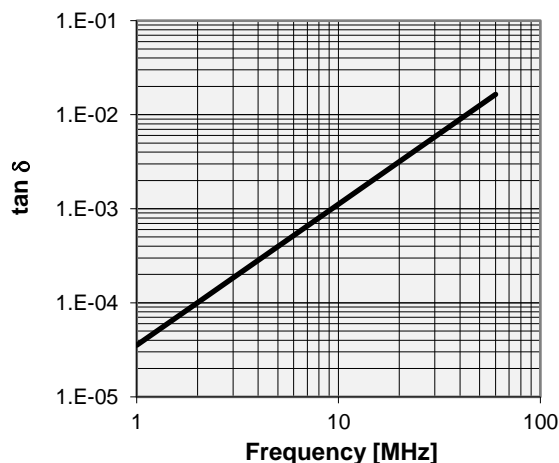
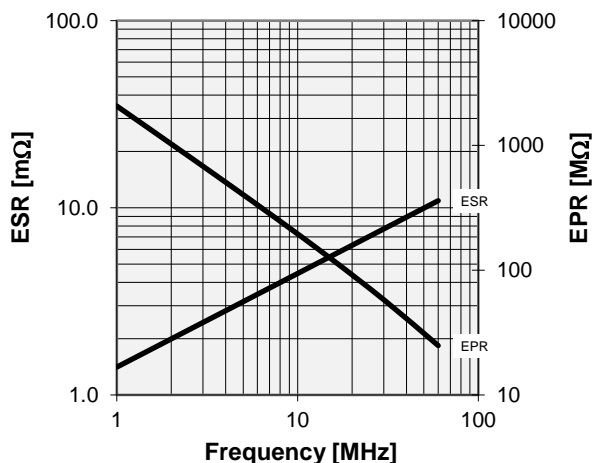
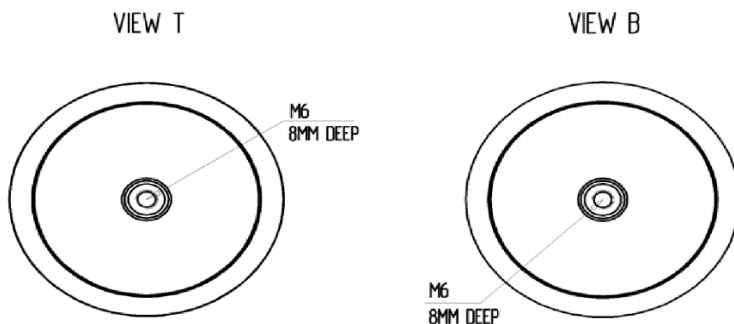
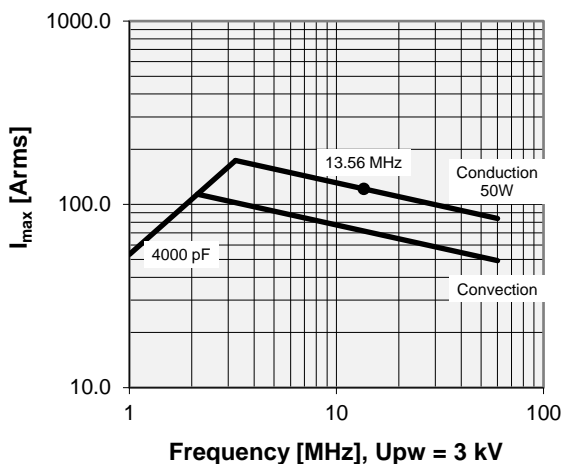
Old Type Designation: MC08C-4000E

Specifications

Capacitance C_{max} (nominal)	4000 pF
Voltage (Peak Test U_{pt} / Peak Working U_{pw})	5 kV / 3 kV
Capacitance Tolerance	5%
Max. Current I_{max} at 13.56 MHz with	121 Arms
Conduction Cooling	50 W
Net Weight	0.86 kg



I_{max} at 25°C ambient and 125°C surface temp. for convection and conduction (50 W) cooling



Special Features:
Capacity Tolerance 5%, RoHS Compliant

Note:
Technical information in Service Bulletin
SB-52 must be considered
Subject to change without prior notice