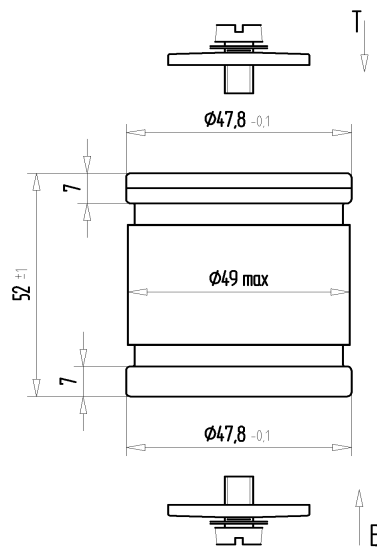


# CFMN-400AAC/12-DE-G

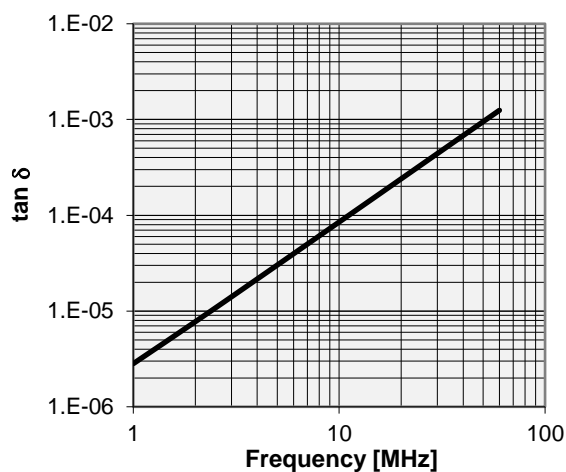
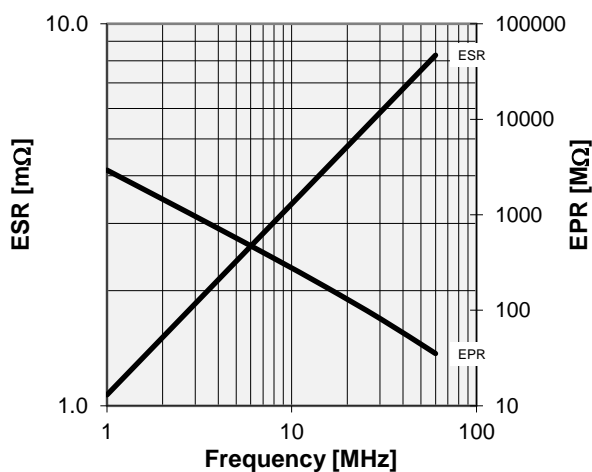
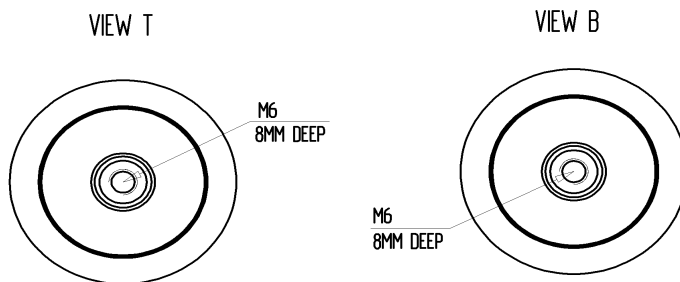
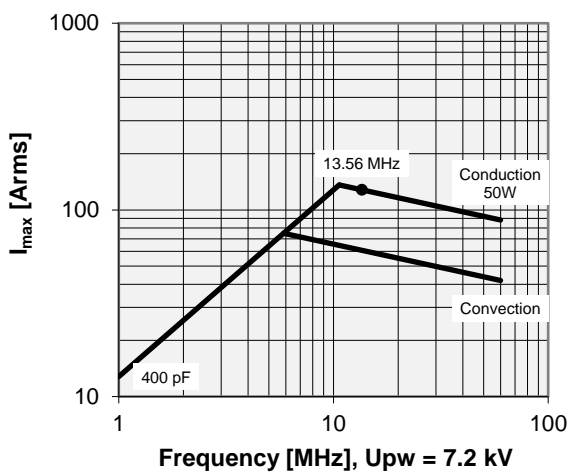
Old Type Designation: MC05C-400E

## Specifications

Capacity $C_{max}$ (nominal)	400 pF
Voltage (Peak Test $U_{pt}$ / Peak Working $U_{pw}$ )	12 kV / 7.2 kV
Capacity Tolerance	5%
Max. Current $I_{max}$ at 13.56 MHz with	128 Arms
Conduction Cooling	50 W
Net Weight	0.4 kg



$I_{max}$  at 25°C ambient and 125°C surface temp. for convection and conduction (50 W) cooling



<b>Special Features:</b>
Capacity Tolerance 5%

Note:  
 Technical information in Service Bulletin  
 SB-52 must be considered  
 Subject to change without prior notice