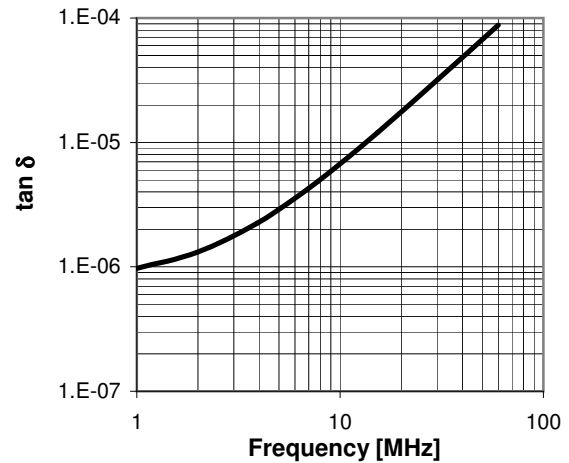
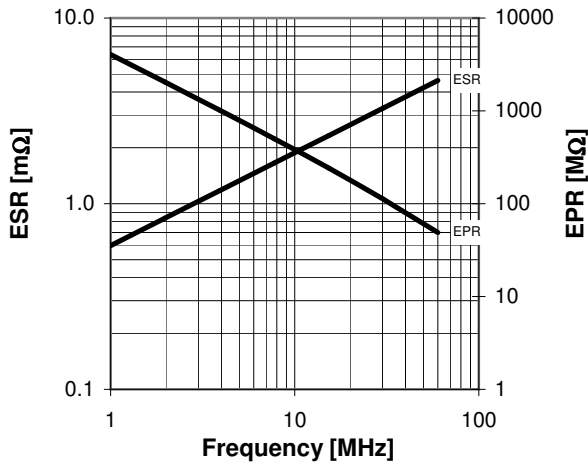
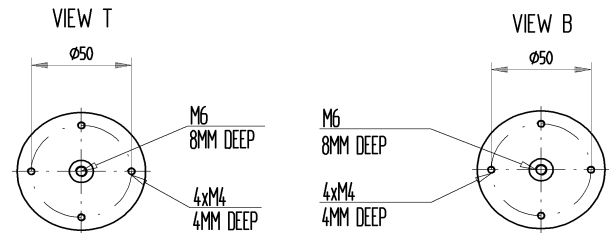
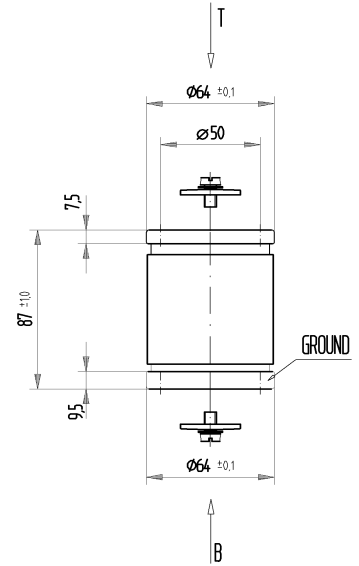
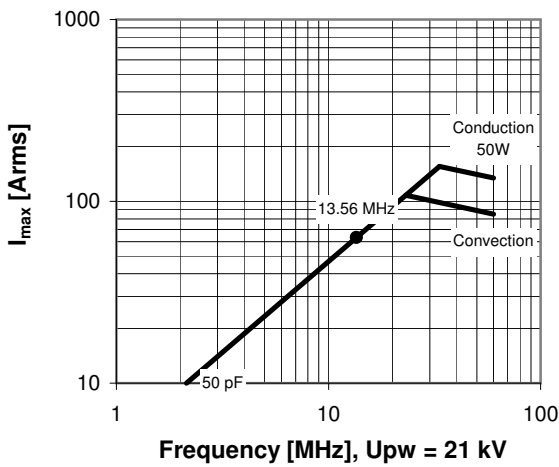


CFMN-50EAC/35-DH-G

Old Type Designation: MC3C-50E

Specifications	
Capacity C_{max} (nominal)	50 pF
Voltage (Peak Test U_{pt} / Peak Working U_{pw})	35 kV / 21 kV
Capacity Tolerance	5%
Max. Current I_{max} at 13.56 MHz with	63 Arms
Conduction Cooling	50 W
Net Weight	0.9 kg
Extension Rod (optional)	058-082

I_{max} at 25 °C ambient and 125 °C surface temp. for convection and conduction (50 W) cooling



Type Ordering Information:	Upt
CFMN-50EAC/35-DH-G	35 kV

Special Features:
Capacity Tolerance 5%