

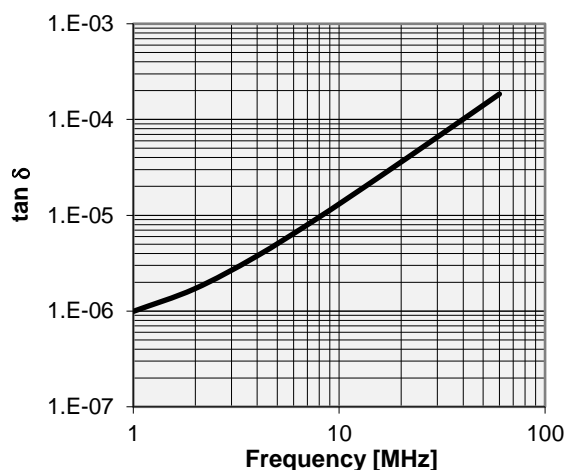
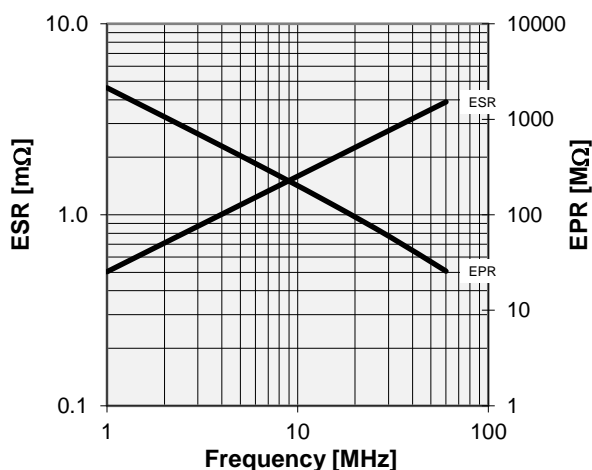
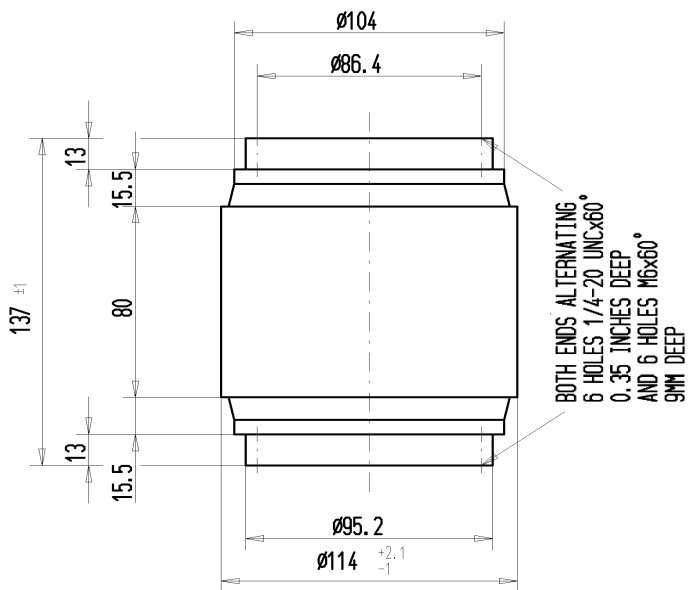
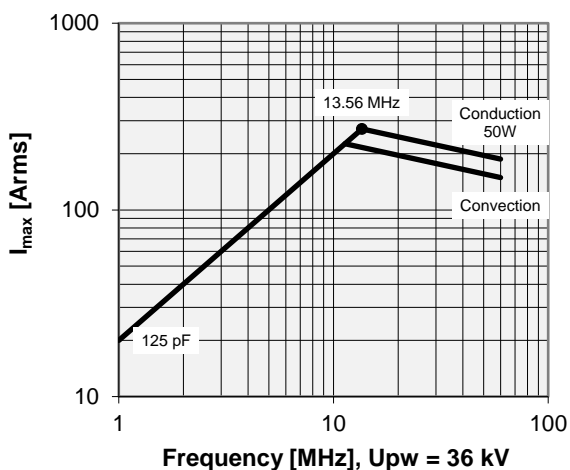
CFNA-125CAC/60-GC-G

Old Type Designation: CF3C-125E

Specifications

Capacity C_{max} (nominal)	125 pF
Voltage (Peak Test U_{pt} / Peak Working U_{pw})	60 kV / 36 kV
Capacity Tolerance	5%
Max. Current I_{max} at 13.56 MHz with	271 Arms
Conduction Cooling	50 W
Net Weight	2.5 kg

I_{max} at 25°C ambient and 125°C surface temp. for convection and conduction (50 W) cooling



Special Features:
Capacity Tolerance 5%

Note:
 Technical information in Service Bulletin
 SB-52 must be considered
 Subject to change without prior notice