

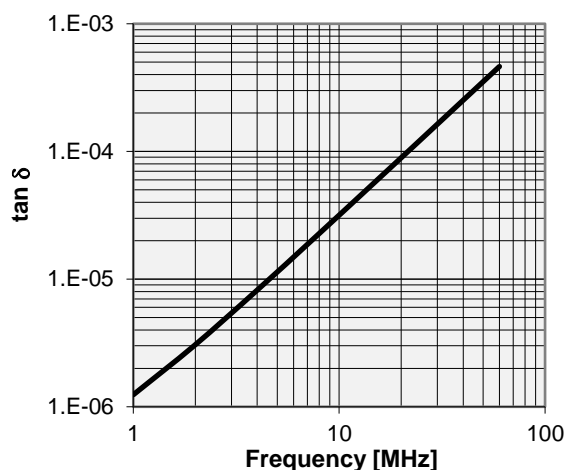
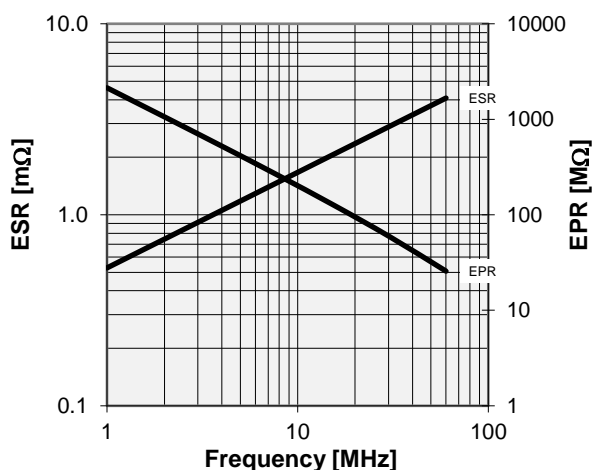
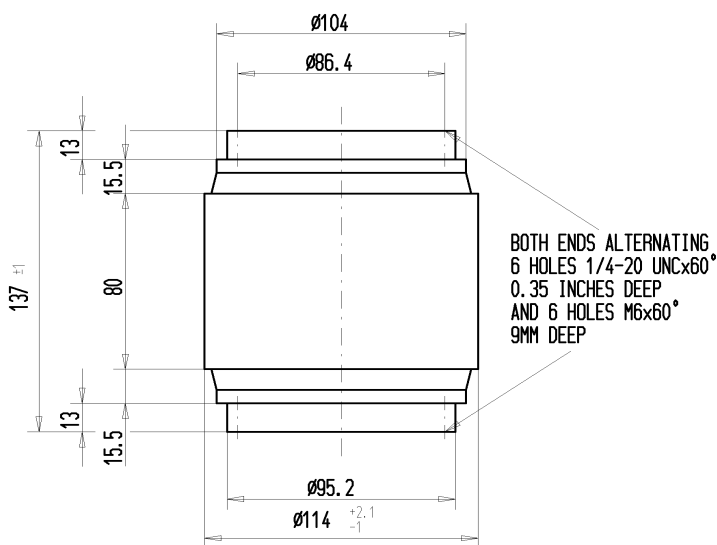
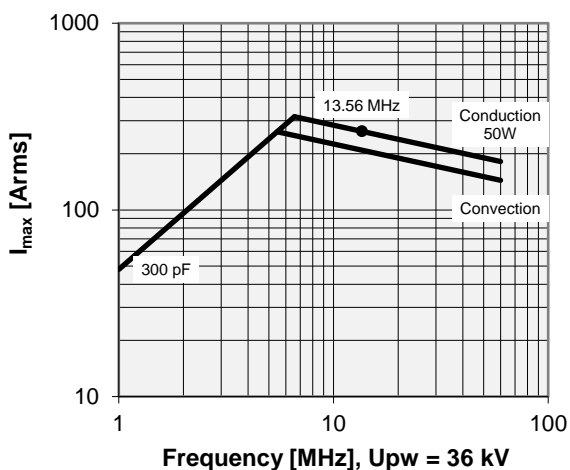
CFNA-300CAC/60-GC-G

Old Type Designation: CF3C-300E

Specifications

Capacity C_{max} (nominal)	300 pF
Voltage (Peak Test U_{pt} / Peak Working U_{pw})	60 kV / 36 kV
Capacity Tolerance	5%
Max. Current I_{max} at 13.56 MHz with	263 Arms
Conduction Cooling	50 W
Net Weight	2.6 kg

I_{max} at 25°C ambient and 125°C surface temp. for convection and conduction (50 W) cooling



Special Features:

Capacity Tolerance 5%