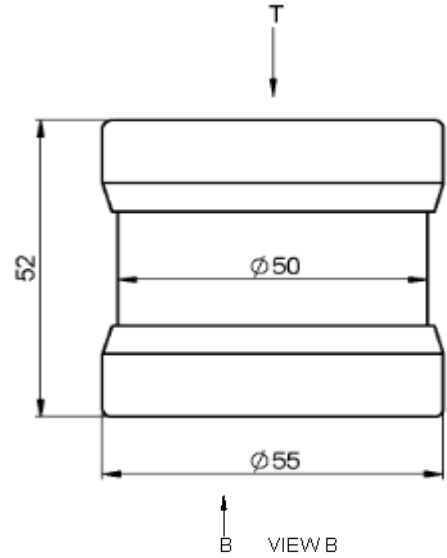
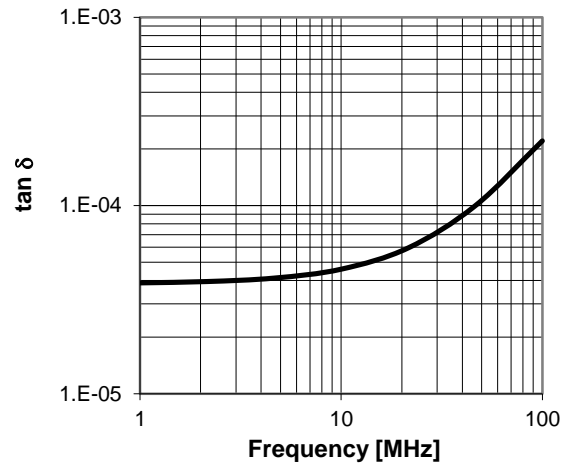
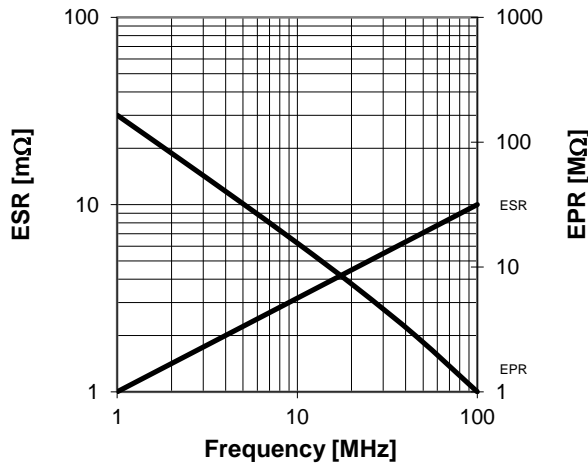
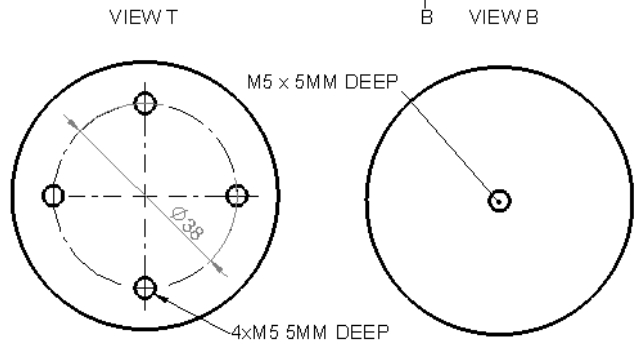
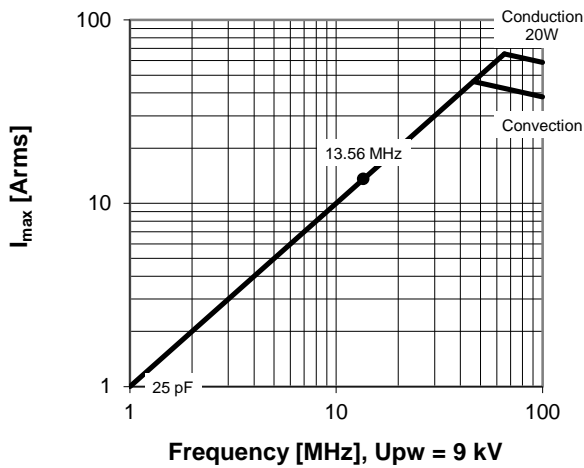


## CFNC-25AAC/15-UH

Specifications	
Capacitance $C_{max}$ (nominal)	25 pF
Voltage (Peak Test $U_{pt}$ / Peak Working $U_{pw}$ )	15 kV / 9 kV
Capacitance Tolerance	10%
Max. Current $I_{max}$ at 13.56 MHz with Conduction Cooling	13 Arms
Conduction Cooling	20 W
Net Weight	0.18 kg



$I_{max}$  at 25°C ambient and 125°C surface temp. for convection and conduction (20 W) cooling



Special Features:
RoHS Compliant, Device under pressure

Subject to change without prior notice

Note: Technical information in Service Bulletin SB-52 must be considered