

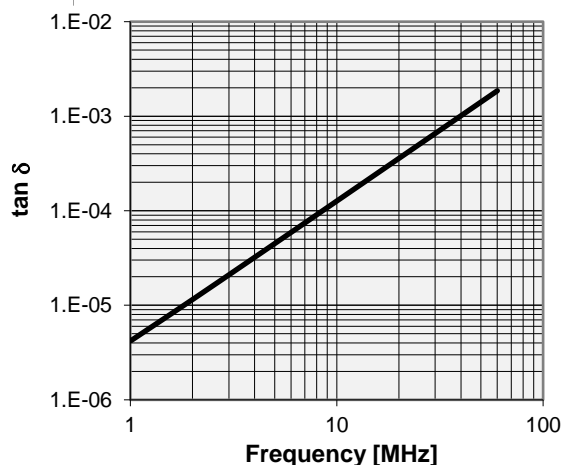
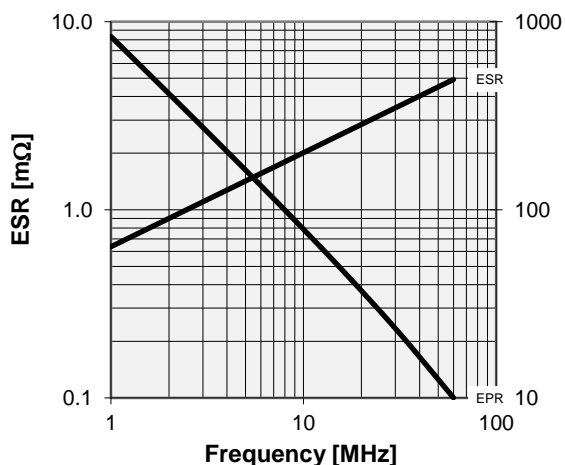
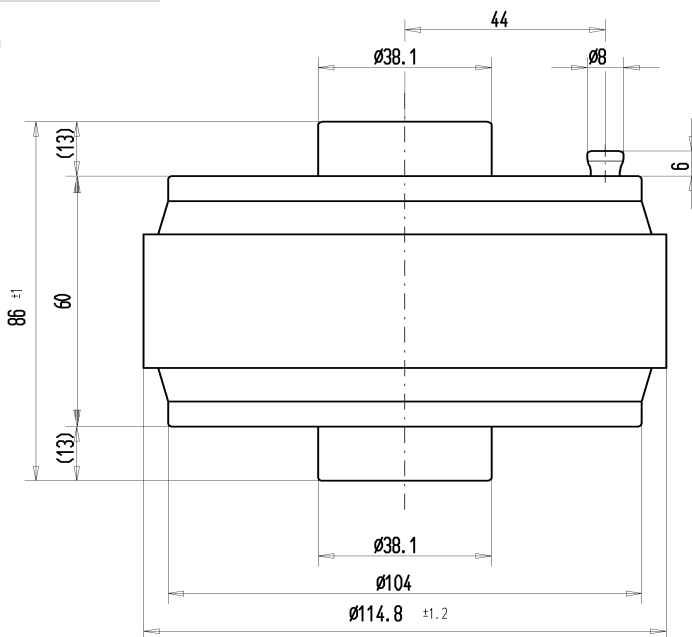
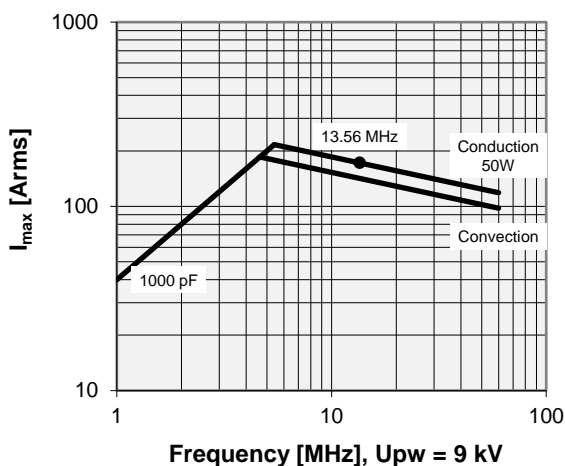
CFSA-1000BAC/15-CA-G

Old Type Designation: CF1C-1000E

Specifications

Capacity C_{max} (nominal)	1000 pF
Voltage (Peak Test U_{pt} / Peak Working U_{pw})	15 kV / 9 kV
Capacity Tolerance	5%
Max. Current I_{max} at 13.56 MHz with	171 Arms
Conduction Cooling	50 W
Net Weight	2 kg
Mounting Flange (optional)	058-015

I_{max} at 25°C ambient and 125°C surface temp. for convection and conduction (50 W) cooling



Special Features:
Capacity Tolerance 5%, RoHS Compliant

Note:
Technical information in Service Bulletin
SB-52 must be considered
Subject to change without prior notice