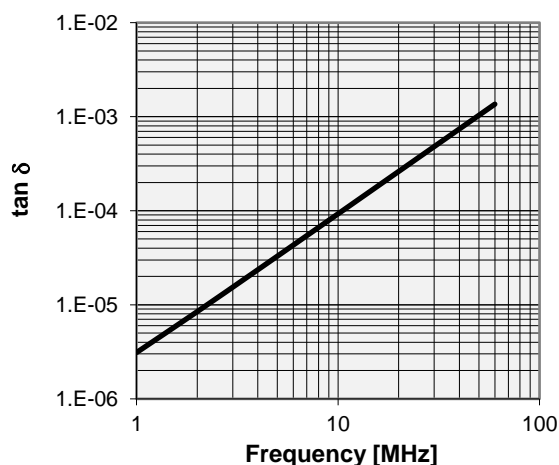
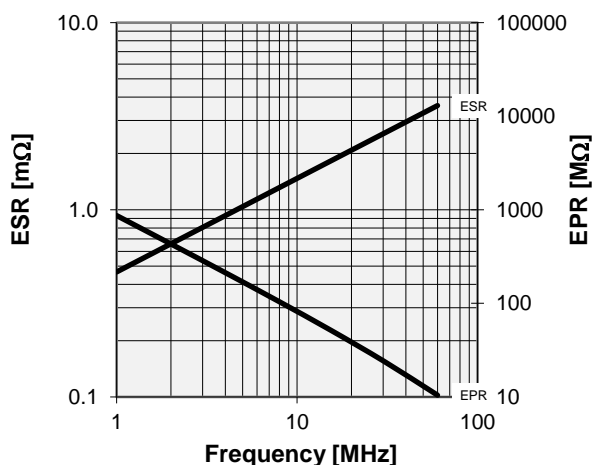
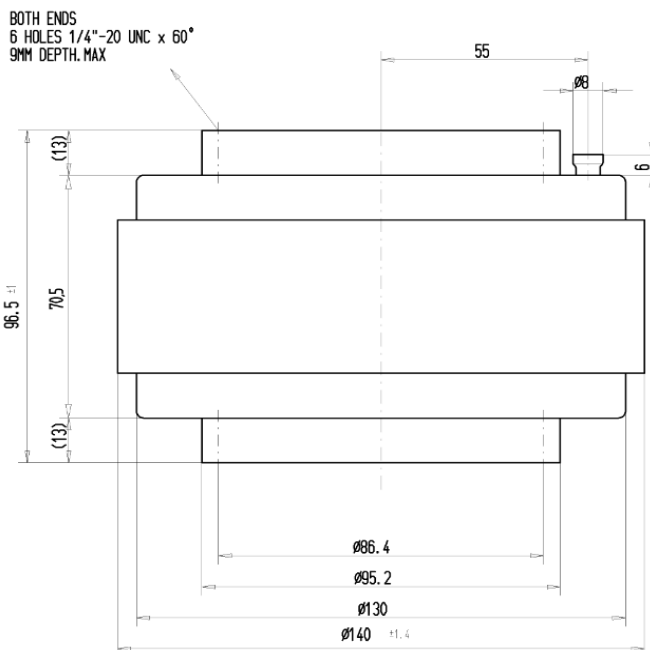
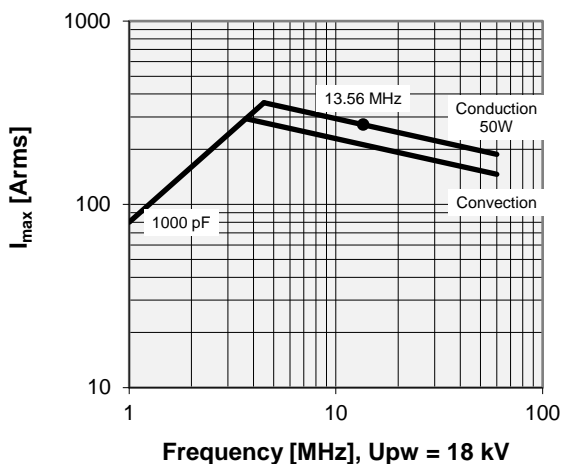


CFSA-1000DAC/30-GC-G

Specifications

Capacitance C_{max} (nominal)	1000 pF
Voltage (Peak Test U_{pt} / Peak Working U_{pw})	30 kV / 18 kV
Capacitance Tolerance	5%
Max. Current I_{max} at 13.56 MHz with	271 Arms
Conduction Cooling	50 W
Net Weight	3.5 kg

I_{max} at 25°C ambient and 125°C surface temp. for convection and conduction (50 W) cooling



Special Features:
Capacity Tolerance 5%

Note:
Technical information in Service Bulletin
SB-52 must be considered
Subject to change without prior notice