

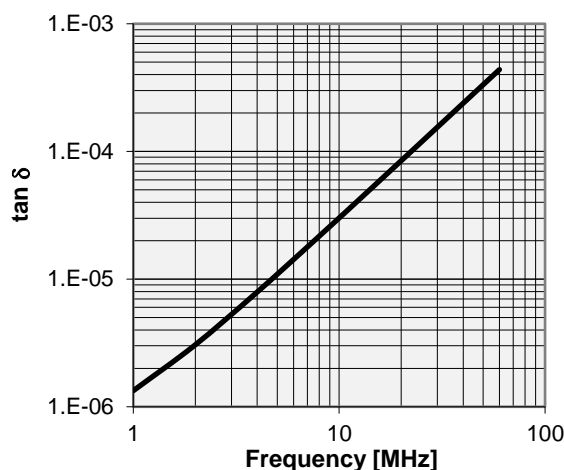
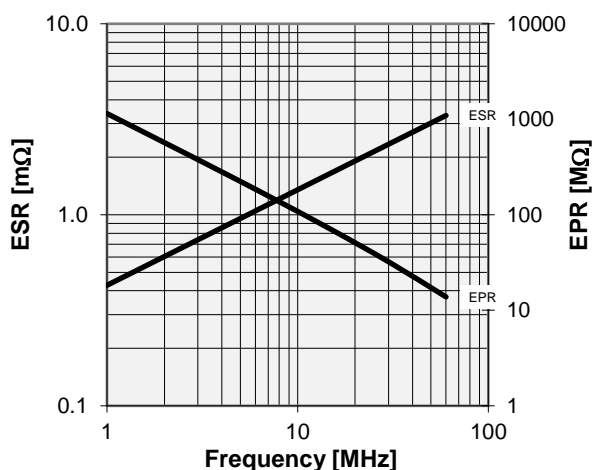
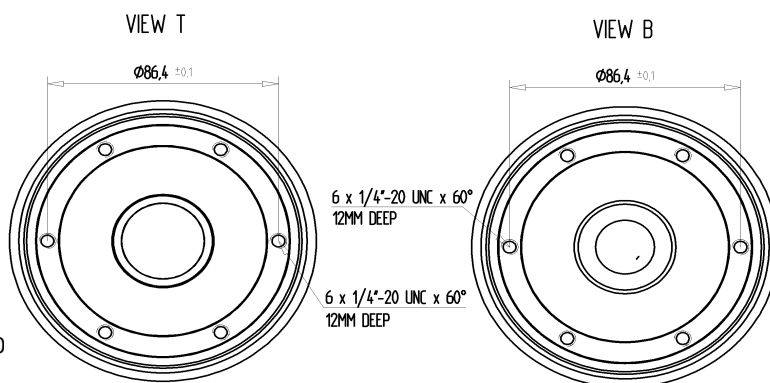
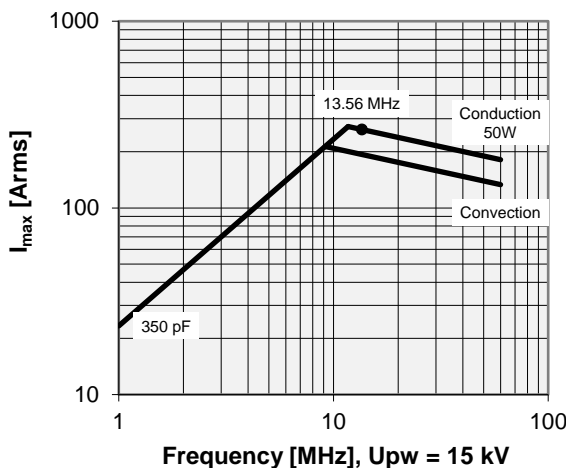
CFSA-350CAC/25-GC-G

Old Type Designation: CF1C-350E

Specifications

Capacity C_{max} (nominal)	350 pF
Voltage (Peak Test U_{pt} / Peak Working U_{pw})	25 kV / 15 kV
Capacity Tolerance	5%
Max. Current I_{max} at 13.56 MHz with	262 Arms
Conduction Cooling	50 W
Net Weight	2.4 kg

I_{max} at 25°C ambient and 125°C surface temp. for convection and conduction (50 W) cooling



Special Features:
Capacity Tolerance 5%