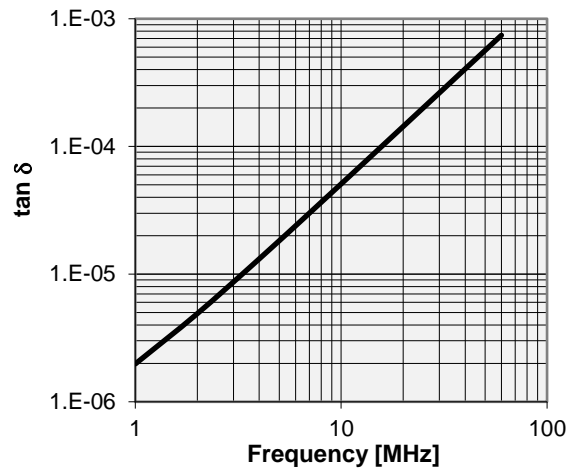
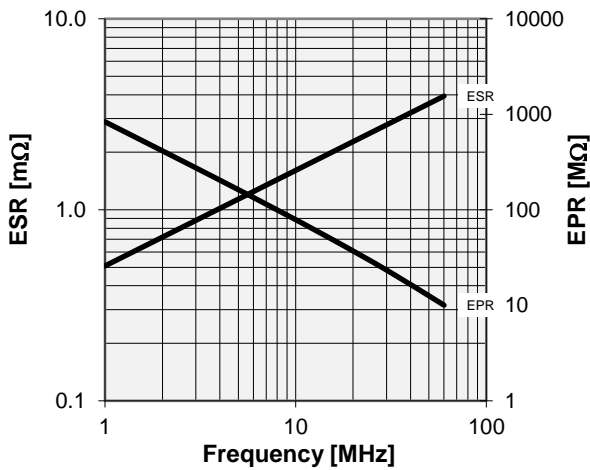
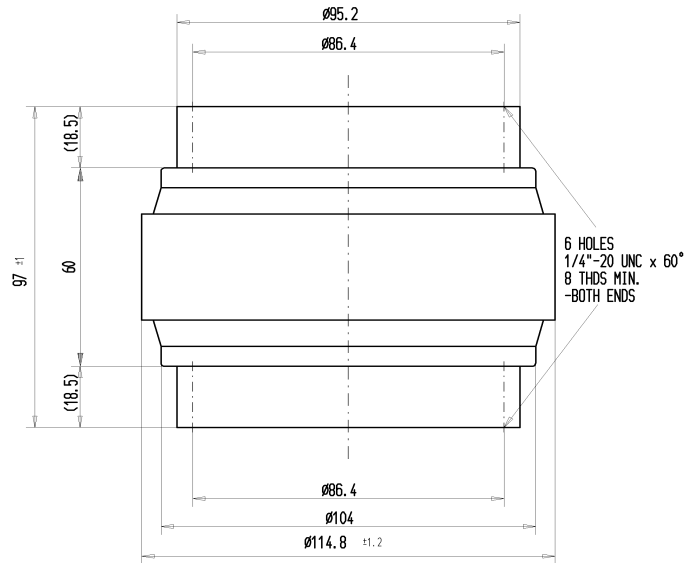
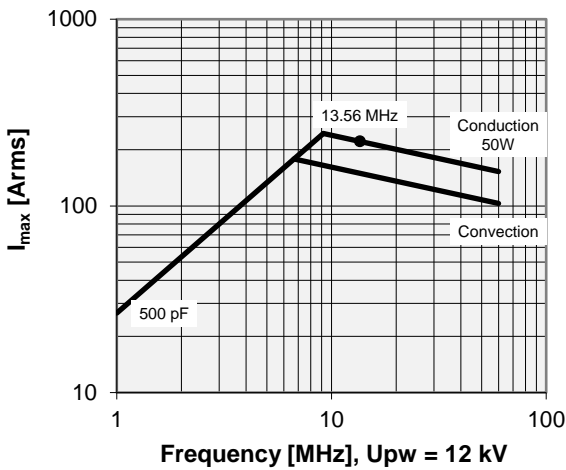


# CFSA-500BAC/20-GC-G

## Specifications

Capacity $C_{max}$ (nominal)	500 pF
Voltage (Peak Test $U_{pt}$ / Peak Working $U_{pw}$ )	20 kV / 12 kV
Capacity Tolerance	5%
Max. Current $I_{max}$ at 13.56 MHz with	221 Arms
Conduction Cooling	50 W
Net Weight	2.9 kg

$I_{max}$  at 25°C ambient and 125°C surface temp. for convection and conduction (50 W) cooling



**Special Features:**  
Capacity Tolerance 5%

Note:  
Technical information in Service Bulletin  
SB-52 must be considered  
Subject to change without prior notice