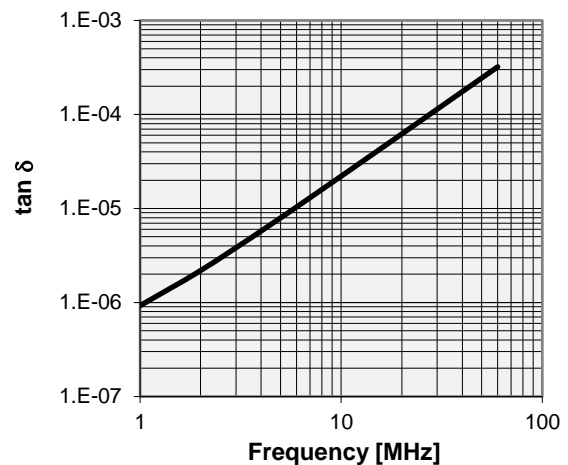
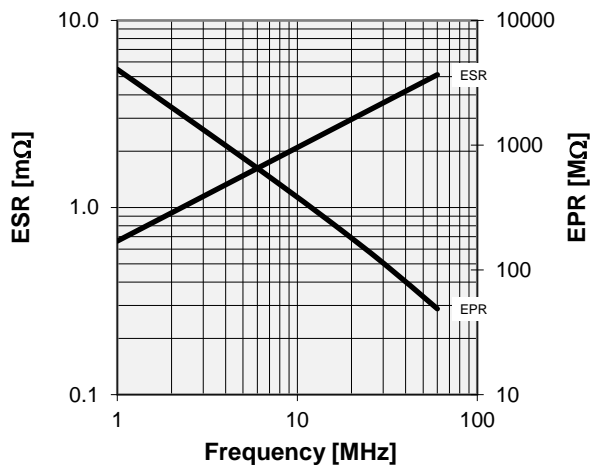
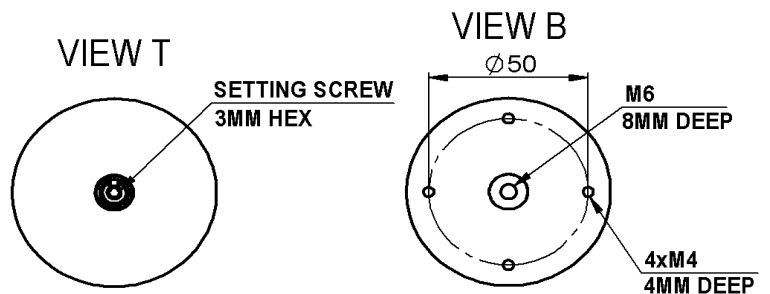
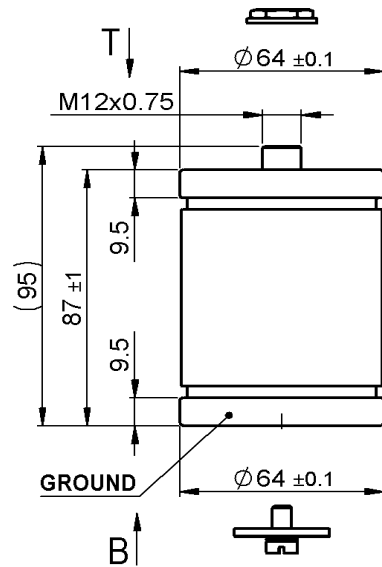
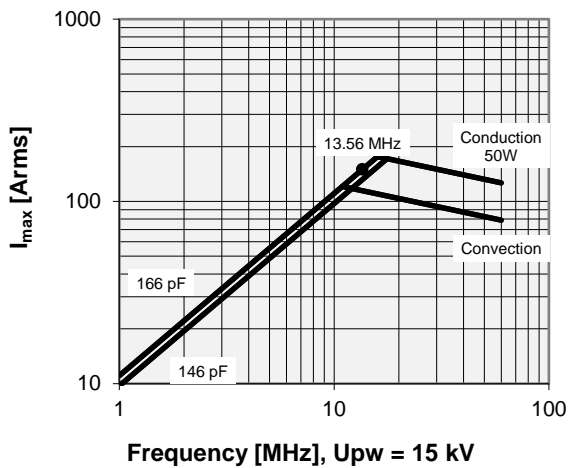


CTMN-156EAC/25-WL

Specifications

| | |
|---|---------------|
| Capacitance C_{max} (nominal) | 166 pF |
| Capacitance C_{min} (nominal) | 146 pF |
| Voltage (Peak Test U_{pt} / Peak Working U_{pw}) | 25 kV / 15 kV |
| Max. Current I_{max} at 13.56 MHz with | 150 Arms |
| Conduction Cooling | 50 W |
| Capacitance per Turn | 6 pF/turn |
| Net Weight | 1.2 kg |

I_{max} at 25°C ambient and 100°C surface temp. for convection and conduction (50W) cooling



| |
|--------------------------|
| Special Features: |
| RoHS Compliant |

Note:
 Technical information in Service Bulletin
 SB-52 must be considered
 Subject to change without prior notice

Issue: 27-Jul-2018