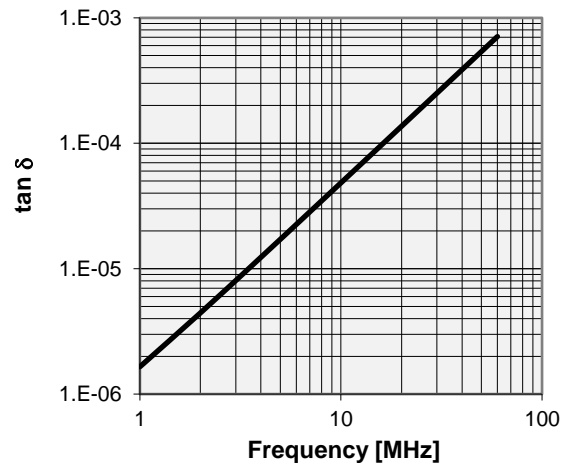
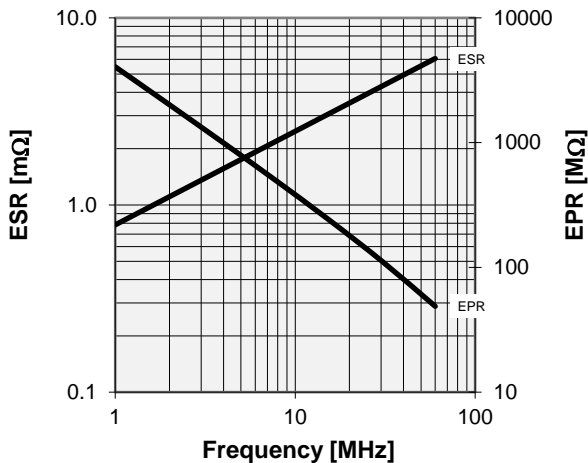
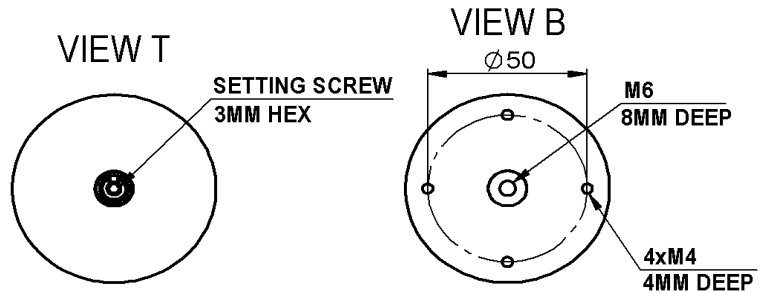
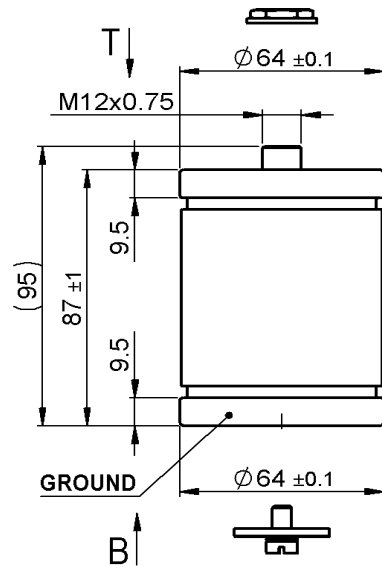
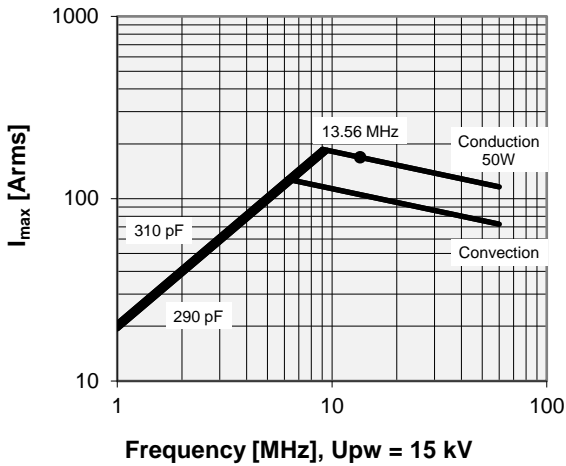


# CTMN-300EAC/25-WL

## Specifications

Capacitance $C_{max}$ (nominal)	310 pF
Capacitance $C_{min}$ (nominal)	290 pF
Voltage (Peak Test $U_{pt}$ / Peak Working $U_{pw}$ )	25 kV / 15 kV
Max. Current $I_{max}$ at 13.56 MHz with	168 Arms
Conduction Cooling	50 W
Capacitance per Turn	6 pF/turn
Net Weight	1.2 kg

$I_{max}$  at 25°C ambient and 100°C surface temp. for convection and conduction (50W) cooling



<b>Special Features:</b>
RoHS Compliant

Note:  
 Technical information in Service Bulletin  
 SB-52 must be considered  
 Subject to change without prior notice

Issue: 13-Jun-2018