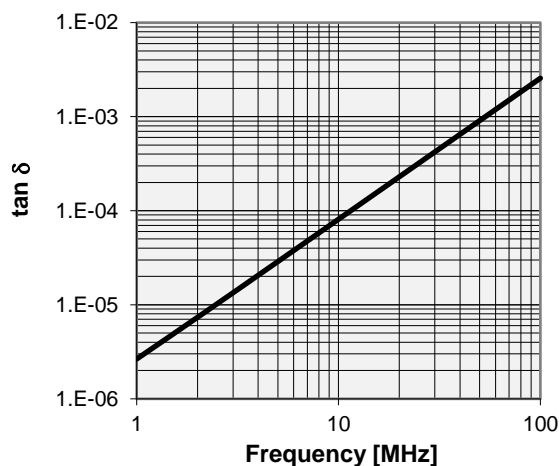
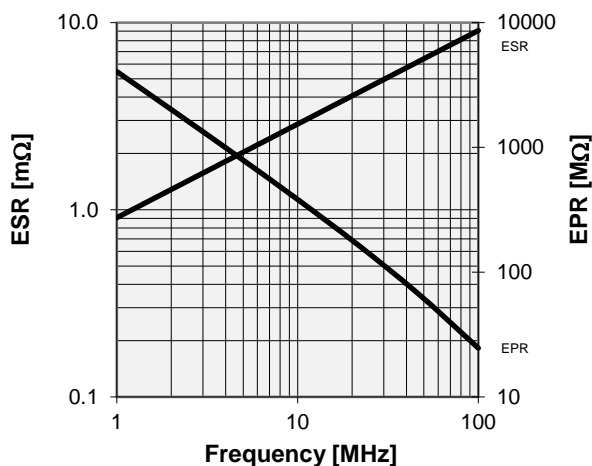
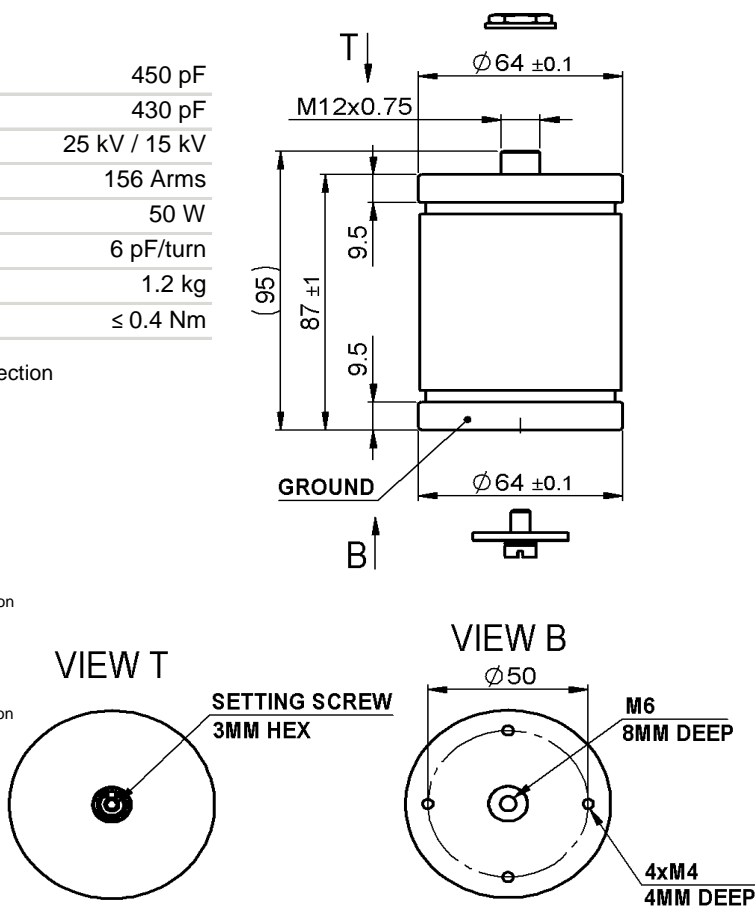
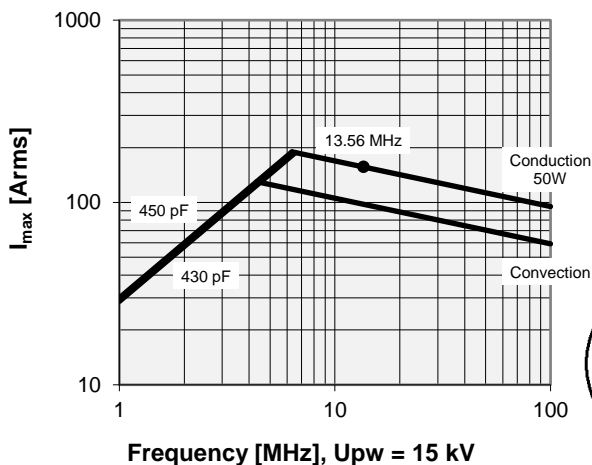


CTMN-440EAC/25-WL

Specifications

Capacitance C_{max} (nominal)	450 pF
Capacitance C_{min} (nominal)	430 pF
Voltage (Peak Test U_{pt} / Peak Working U_{pw})	25 kV / 15 kV
Max. Current I_{max} at 13.56 MHz with	156 Arms
Conduction Cooling	50 W
Capacitance per Turn	6 pF/turn
Net Weight	1.2 kg
Torque	≤ 0.4 Nm

I_{max} at 25°C ambient and 125°C surface temp. for convection and conduction (50W) cooling



Special Features:
RoHS Compliant

Note:
 Technical information in Service Bulletin
 SB-52 must be considered
 Subject to change without prior notice