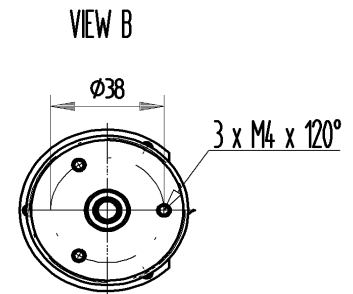
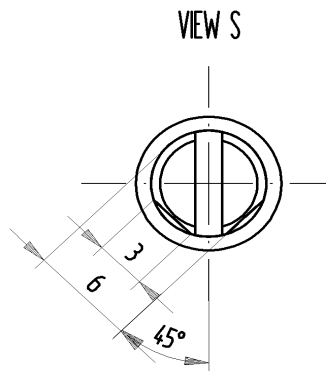
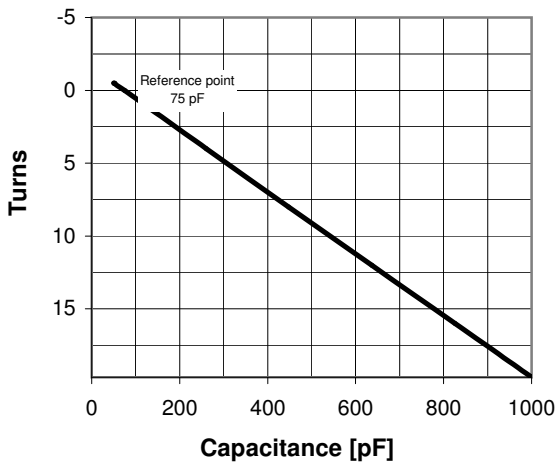
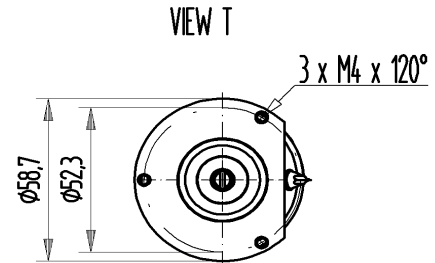


CVBA-1000AC/5-BEA-L

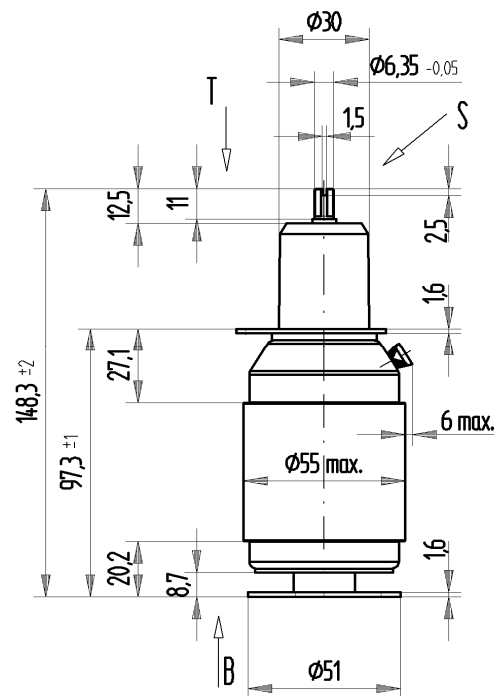
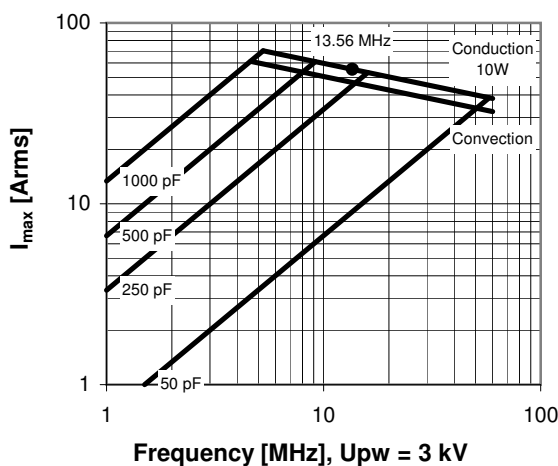
Old Type Designation: CV05C-1000S

Specifications

Capacity C_{max} (nominal)	1000 pF
Capacity C_{min} (nominal)	50 pF
Voltage (Peak Test U_{pt} / Peak Working U_{pw})	5 kV / 3 kV
Capacity Tolerance (linear Range)	10%
Max. Current I_{max} at 13.56 MHz with Conduction Cooling	55 Arms
Self Inductance	≤ 11 nH
Capacitance per turn	47 pF/turn
Torque	≤ 0.15 Nm
Net Weight	0.65 kg



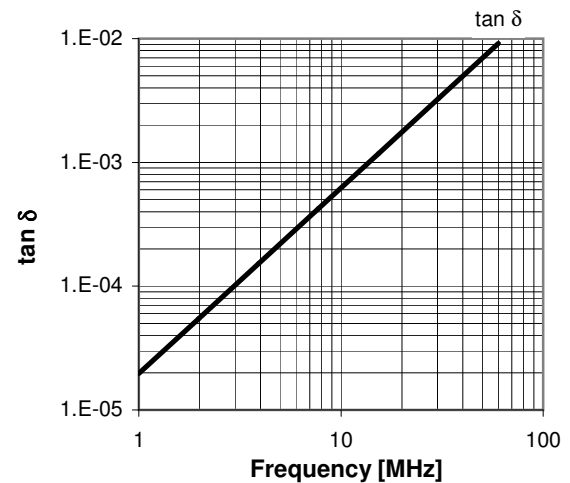
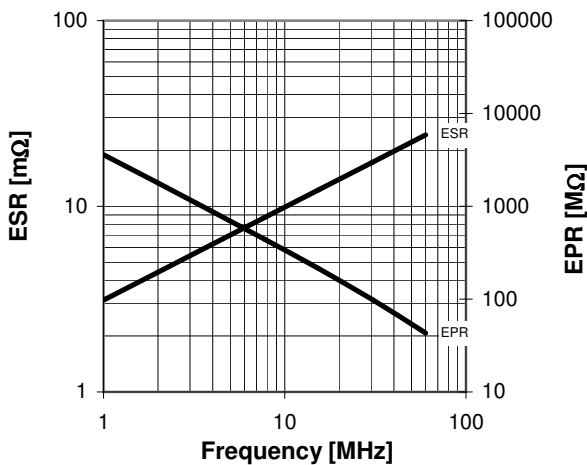
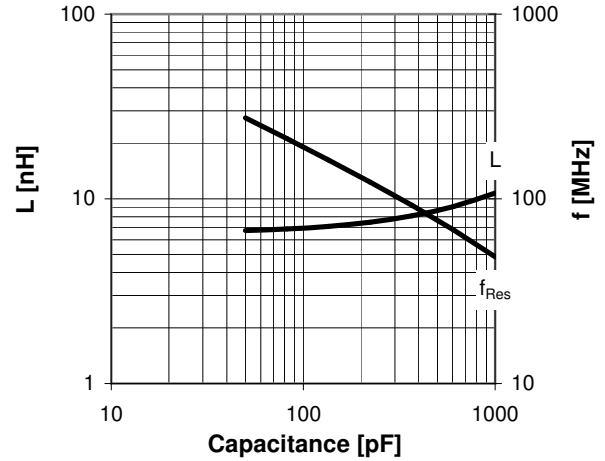
I_{max} at 25°C ambient and 125°C surface temp. for convection and conduction (10 W) cooling



Turns	Nominal Capacitance [pF]	Tolerance
-0.5	50.0	10%
0.0	75.0	0%
4.0	260.6	10%
8.0	447.5	10%
12.0	636.8	10%
16.0	826.0	10%
19.7	1000.0	10%

Mechanical stop at < 50 pF at ~ -1.3 turns
Mechanical stop at > 1000 pF at ~ 20.1 turns

Self inductance and resonance frequency



Special Features:

Integrated Flange

Type Ordering Information:

Type	Upt
CVBA-1000AC/5-BEA-L	5 kV
CVBA-1000AC/3-BEA-L	3 kV