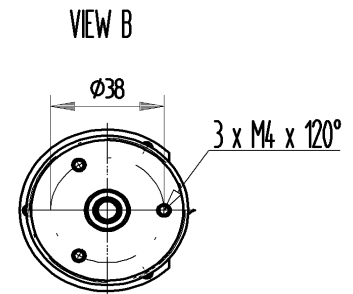
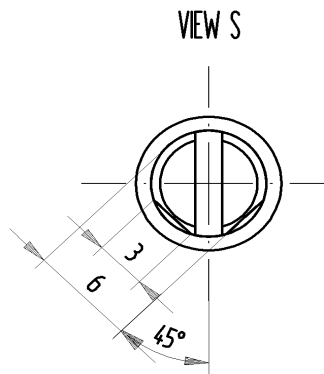
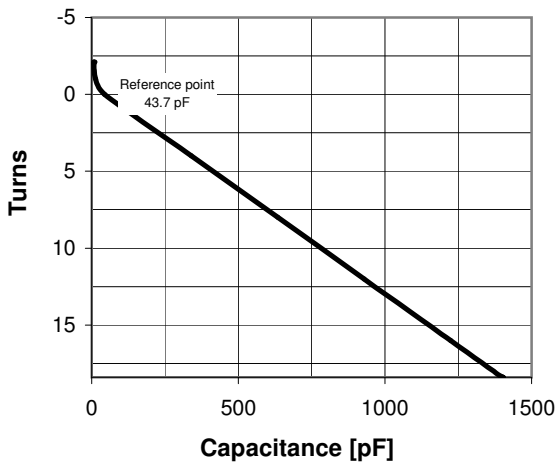
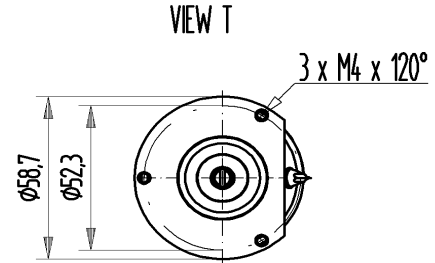


CVBA-1400AC/3-BEAA-L

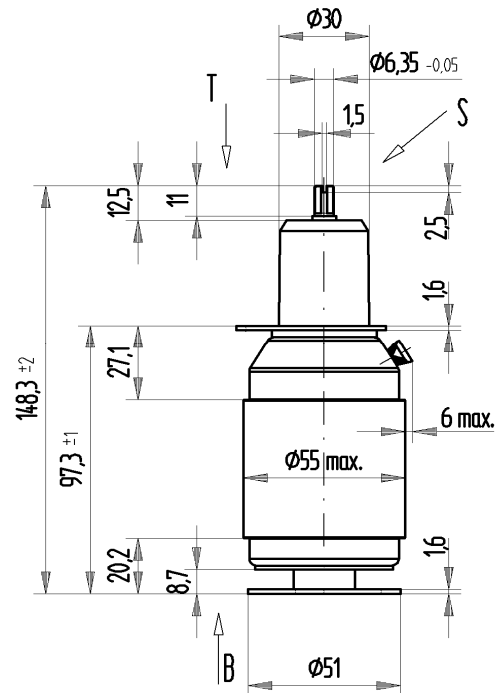
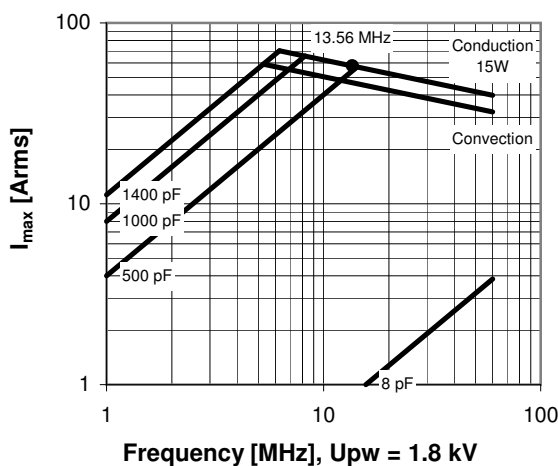
Old Type Designation: CV03C-1400HN

Specifications

Capacity C_{max} (nominal)	1400 pF
Capacity C_{min} (nominal)	8 pF
Voltage (Peak Test U_{pt} / Peak Working U_{pw})	3 kV / 1.8 kV
Capacity Tolerance (linear Range)	10%
Max. Current I_{max} at 13.56 MHz with Conduction Cooling	57 Arms
Capacitance per turn	73.7 pF/turn
Torque	≤ 0.15 Nm
Net Weight	0.65 kg



I_{max} at 25°C ambient and 125°C surface temp. for convection and conduction (15 W) cooling

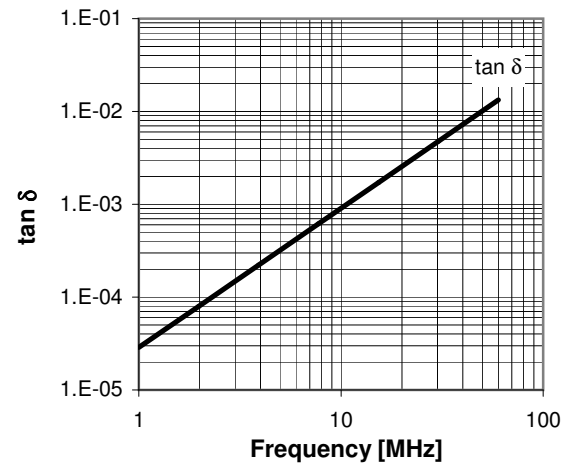
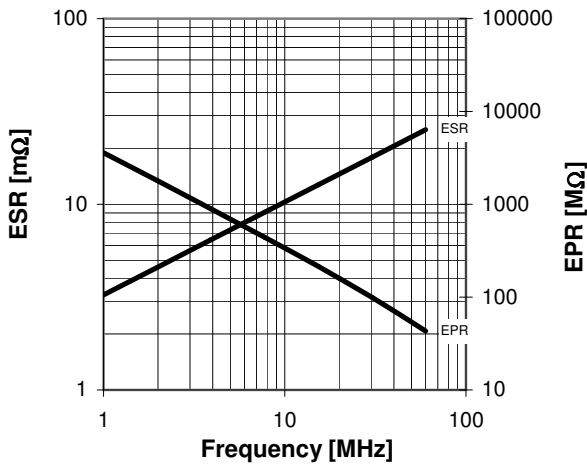
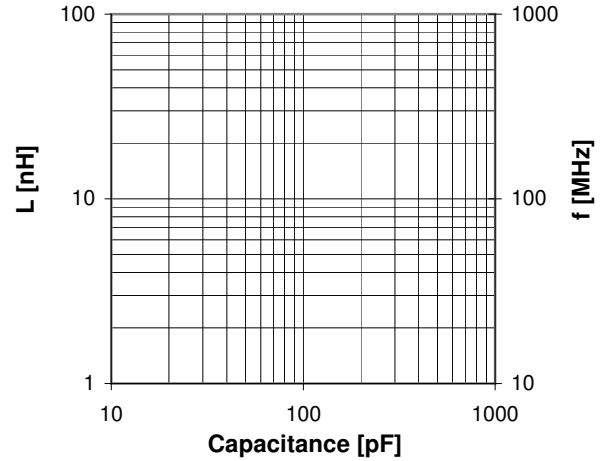


Turns	Nominal Capacitance [pF]	Tolerance
-2.1	8.0	10%
-2.0	8.1	10%
-1.0	12.7	10%
0.0	43.7	0%
4.0	339.3	10%
8.0	634.2	10%
12.0	929.1	10%
16.0	1224.0	10%
18.4	1400.0	10%

Mechanical stop at < 8 pF at ~ -3.6 turns

Mechanical stop at > 1400 pF at ~ 19 turns

Self inductance and resonance frequency



Special Features:

Integrated Flange

Type Ordering Information:

CVBA-1400AC/3-BEAA-L

Upt

3 kV