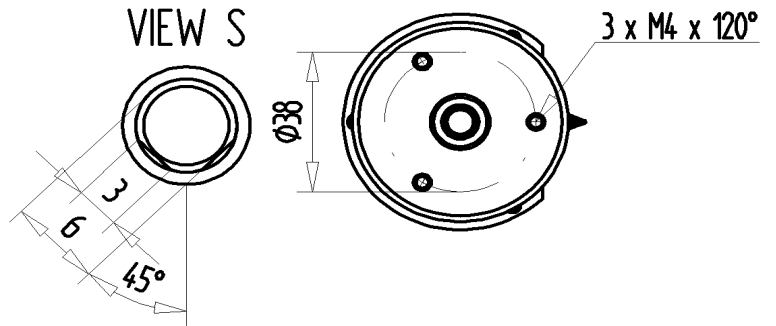
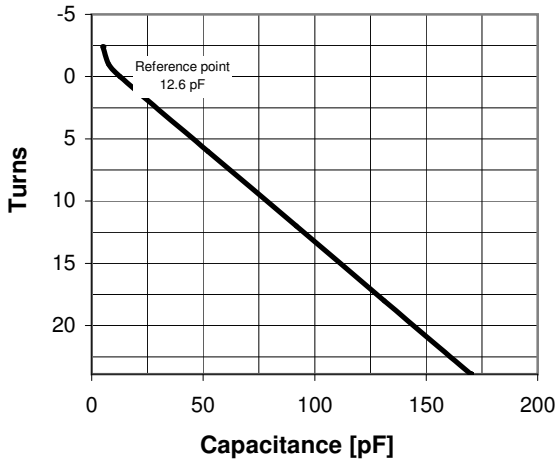
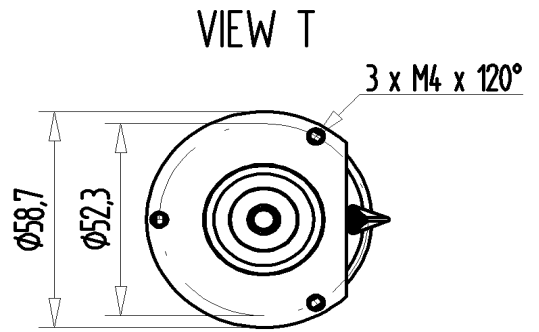


CVBA-170BC/15-BDH-L

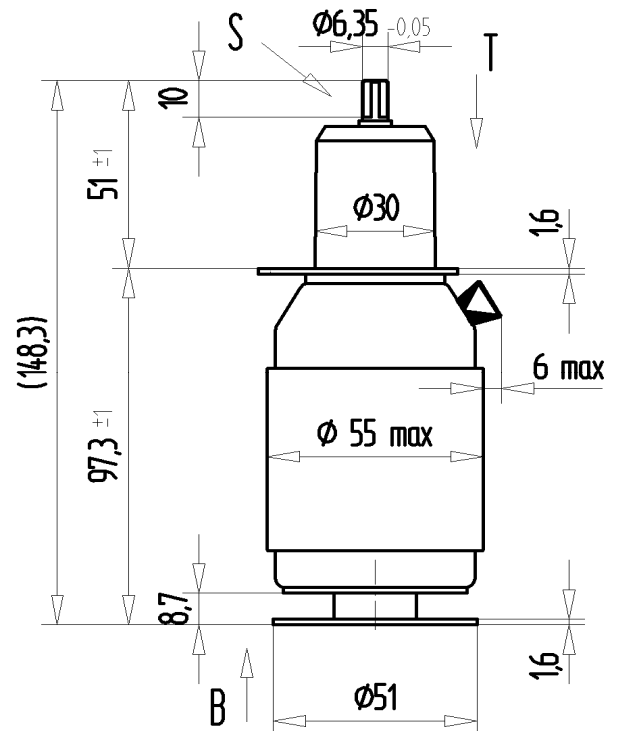
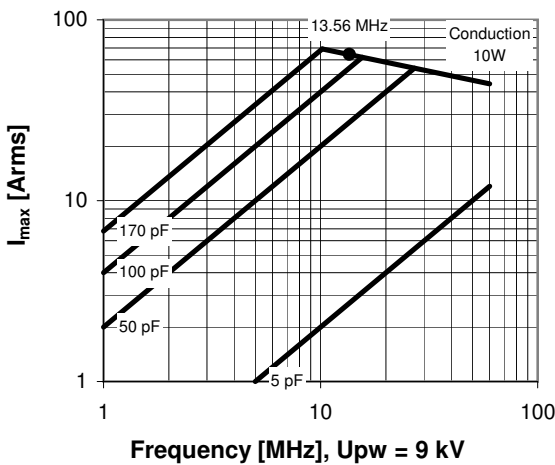
Old Type Designation: CV1C-170J

Specifications

Capacity C_{max} (nominal)	170 pF
Capacity C_{min} (nominal)	5 pF
Voltage (Peak Test U_{pt} / Peak Working U_{pw})	15 kV / 9 kV
Capacity Tolerance (linear Range)	10%
Max. Current I_{max} at 13.56 MHz with Conduction Cooling	64 Arms
Self Inductance	≤ 9 nH
Capacitance per turn	6.6 pF/turn
Torque	≤ 0.15 Nm
Net Weight	0.6 kg



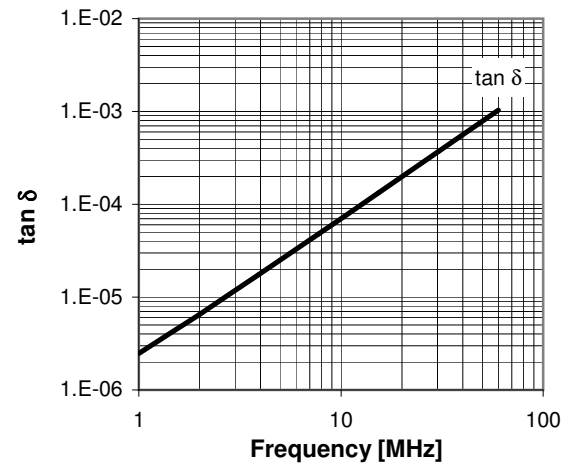
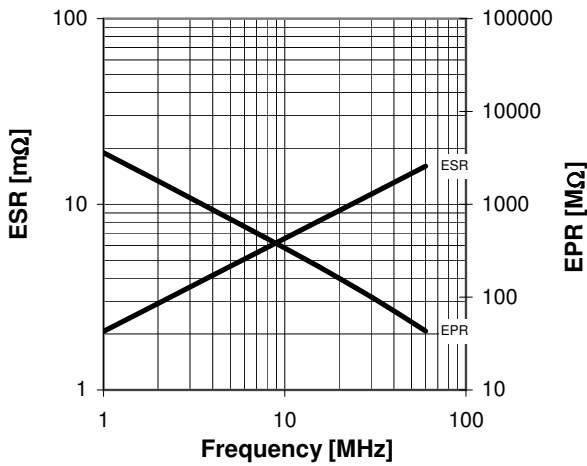
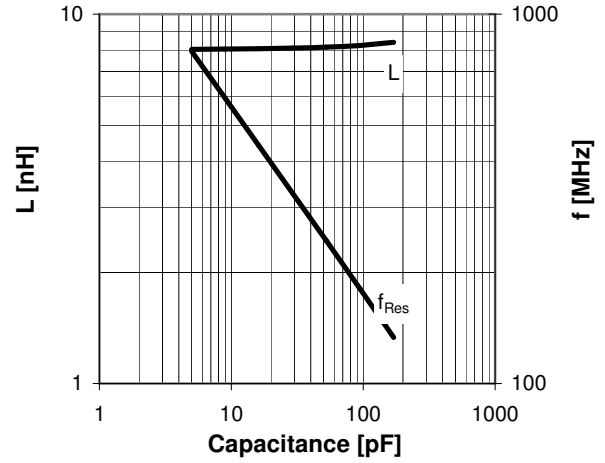
I_{max} at 25°C ambient and 125°C surface temp. for convection and conduction (10 W) cooling



Turns	Nominal Capacitance [pF]	Tolerance
-2.4	5.0	10%
-1.0	7.6	10%
0.0	12.6	0%
6.0	52.1	10%
12.0	91.7	10%
18.0	131.2	10%
23.9	170.0	10%

Mechanical stop at < 5 pF at ~ -8.4 turns
Mechanical stop at > 170 pF at ~ 24.4 turns

Self inductance and resonance frequency



Special Features:

Integrated Flange