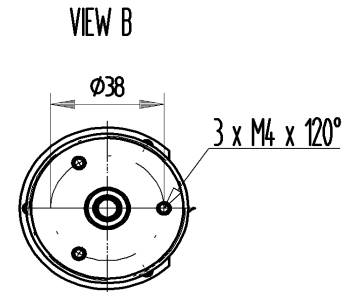
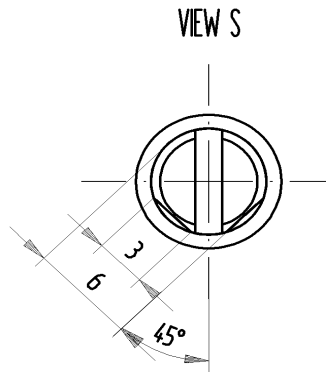
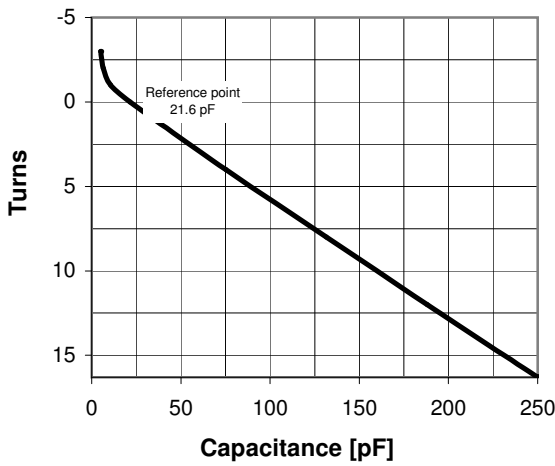
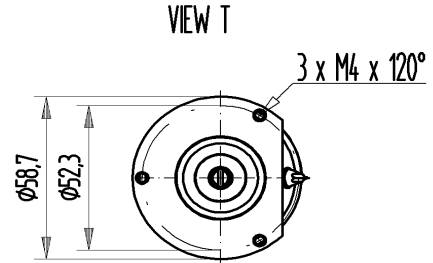


CVBA-250AC/15-BEA-L

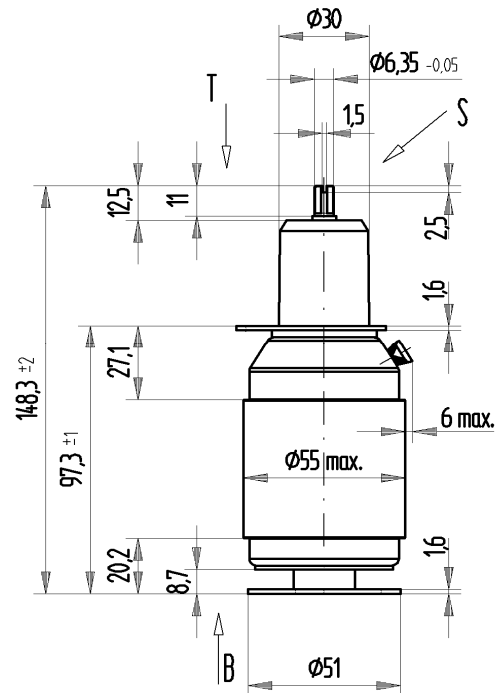
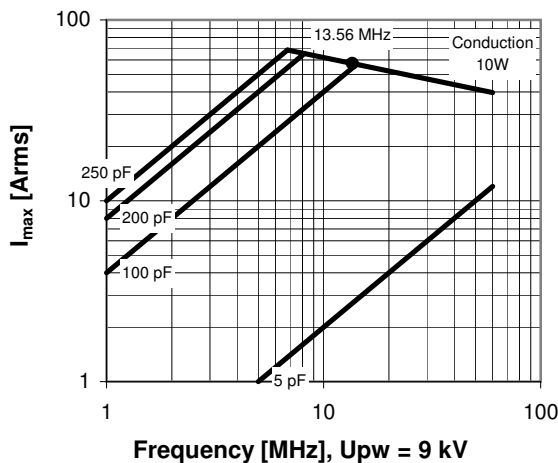
Old Type Designation: CV1C-250J

Specifications

Capacity C_{max} (nominal)	250 pF
Capacity C_{min} (nominal)	5 pF
Voltage (Peak Test U_{pt} / Peak Working U_{pw})	15 kV / 9 kV
Capacity Tolerance (linear Range)	10%
Max. Current I_{max} at 13.56 MHz with	57 Arms
Conduction Cooling	10 W
Self Inductance	≤ 8 nH
Capacitance per turn	14 pF/turn
Torque	≤ 0.15 Nm
Net Weight	0.6 kg



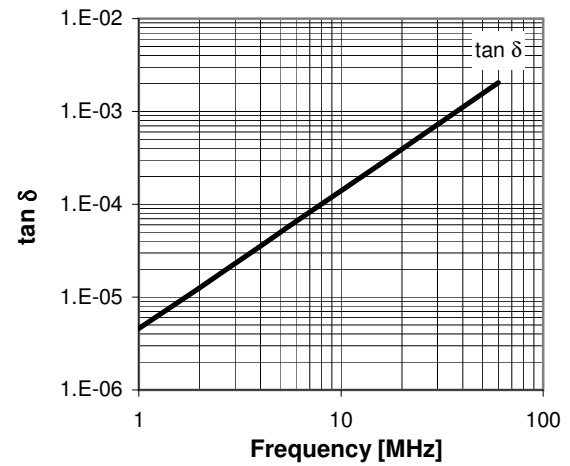
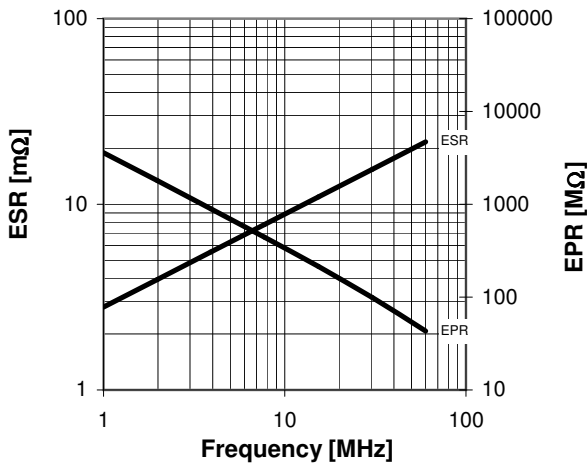
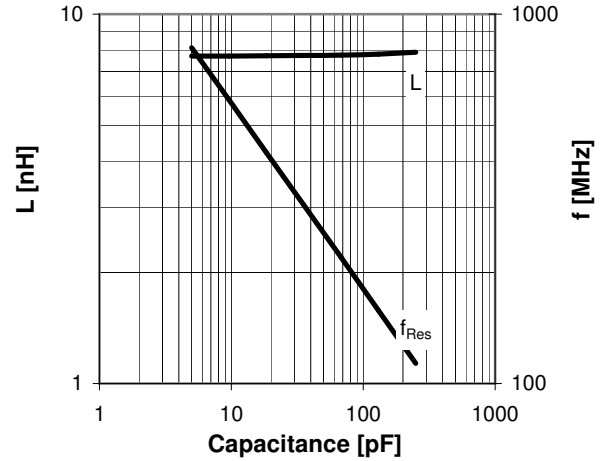
I_{max} at 25°C ambient and 125°C surface temp. for convection and conduction (10 W) cooling



Turns	Nominal Capacitance [pF]	Tolerance
-3.0	5.0	10%
-2.0	6.5	10%
-1.0	10.6	10%
0.0	21.6	0%
4.0	75.2	10%
8.0	131.6	10%
12.0	188.0	10%
16.3	250.0	10%

Mechanical stop at < 5 pF at ~ -6.1 turns
Mechanical stop at > 250 pF at ~ 16.5 turns

Self inductance and resonance frequency



Special Features:

Integrated Flange

Type Ordering Information:

Type	Upt
CVBA-250AC/15-BEA-L	15 kV
CVBA-250AC/10-BEA-L	10 kV
CVBA-250AC/7.5-BEA-L	7.5 kV