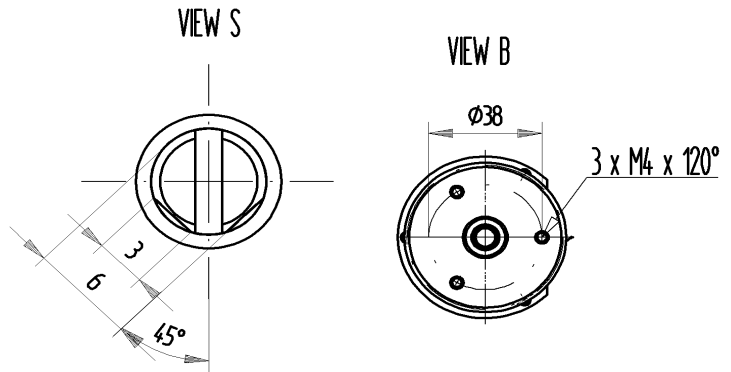
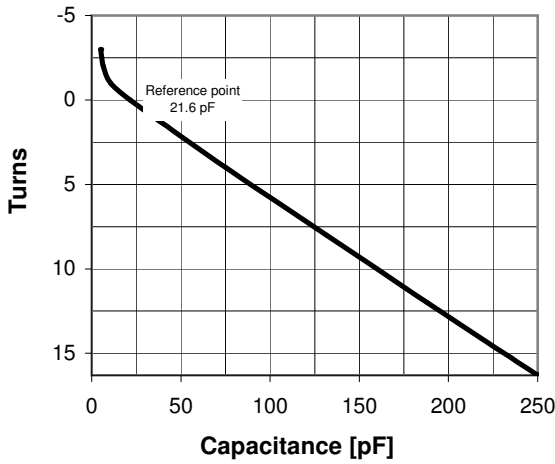
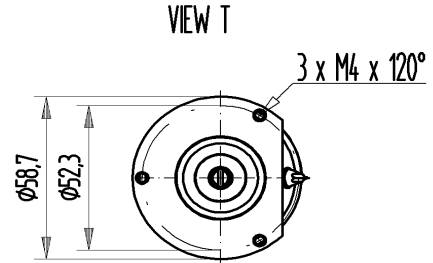


CVBA-250AC/15-BEAA-L

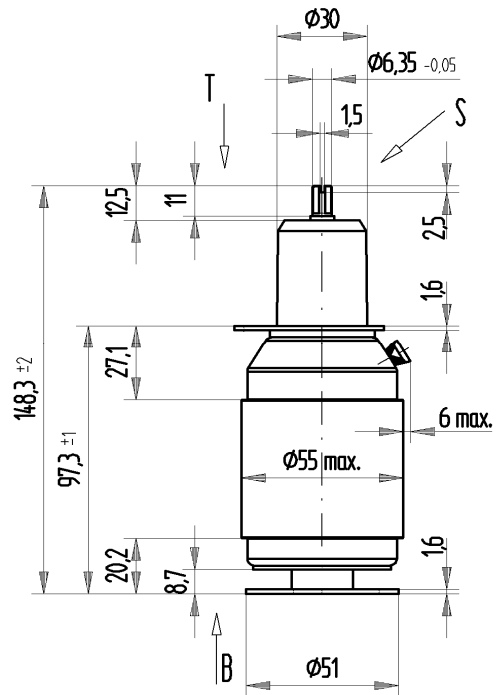
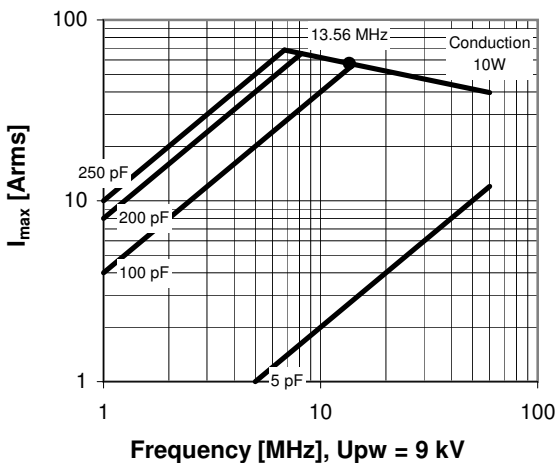
Old Type Designation: CV1C-250JN

Specifications

| | |
|---|----------------|
| Capacity C_{max} (nominal) | 250 pF |
| Capacity C_{min} (nominal) | 5 pF |
| Voltage (Peak Test U_{pt} / Peak Working U_{pw}) | 15 kV / 9 kV |
| Capacity Tolerance (linear Range) | 10% |
| Max. Current I_{max} at 13.56 MHz with | 57 Arms |
| Conduction Cooling | 10 W |
| Self Inductance | ≤ 8 nH |
| Capacitance per turn | 14 pF/turn |
| Torque | ≤ 0.15 Nm |
| Net Weight | 0.6 kg |



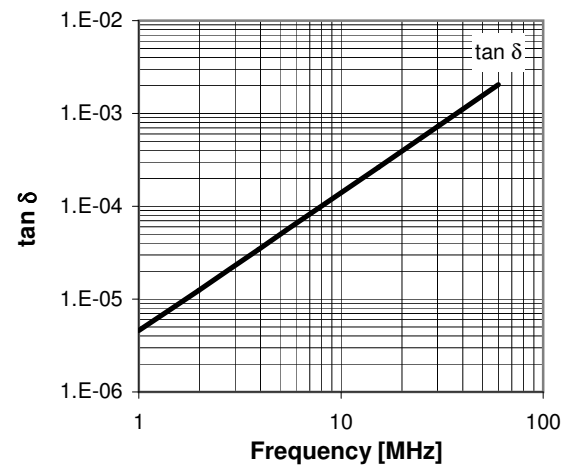
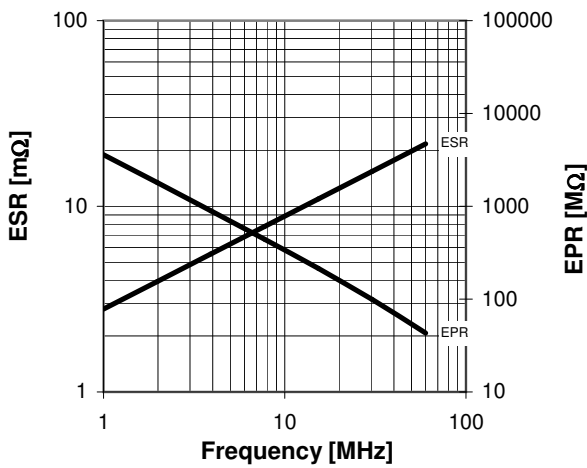
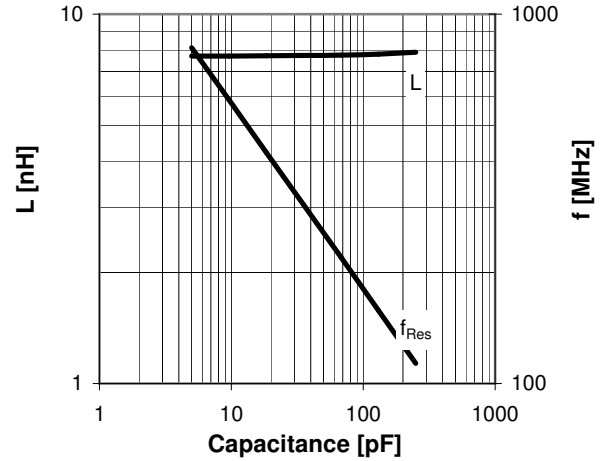
I_{max} at 25°C ambient and 125°C surface temp. for convection and conduction (10 W) cooling



| Turns | Nominal Capacitance [pF] | Tolerance |
|-------|--------------------------|-----------|
| -3.0 | 5.0 | 10% |
| -2.0 | 6.5 | 10% |
| -1.0 | 10.6 | 10% |
| 0.0 | 21.6 | 0% |
| 4.0 | 75.2 | 10% |
| 8.0 | 131.6 | 10% |
| 12.0 | 188.0 | 10% |
| 16.3 | 250.0 | 10% |

Mechanical stop at < 5 pF at ~ -6.1 turns
Mechanical stop at > 250 pF at ~ 16.5 turns

Self inductance and resonance frequency



Special Features:

Integrated Flange

Type Ordering Information:

| Type | Upt |
|-----------------------|--------|
| CVBA-250AC/15-BEAA-L | 15 kV |
| CVBA-250AC/10-BEAA-L | 10 kV |
| CVBA-250AC/7.5-BEAA-L | 7.5 kV |