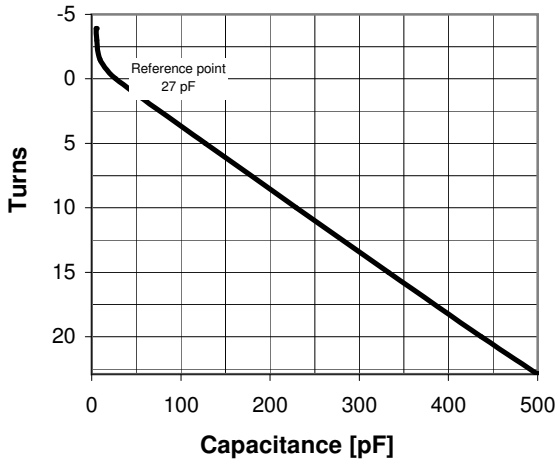
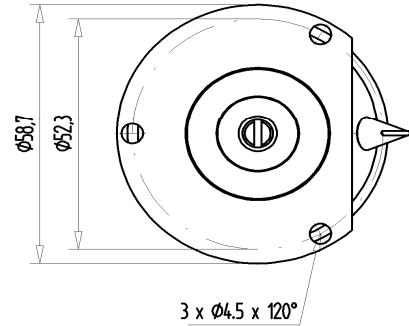


CVBA-500AC/5-BFH-M

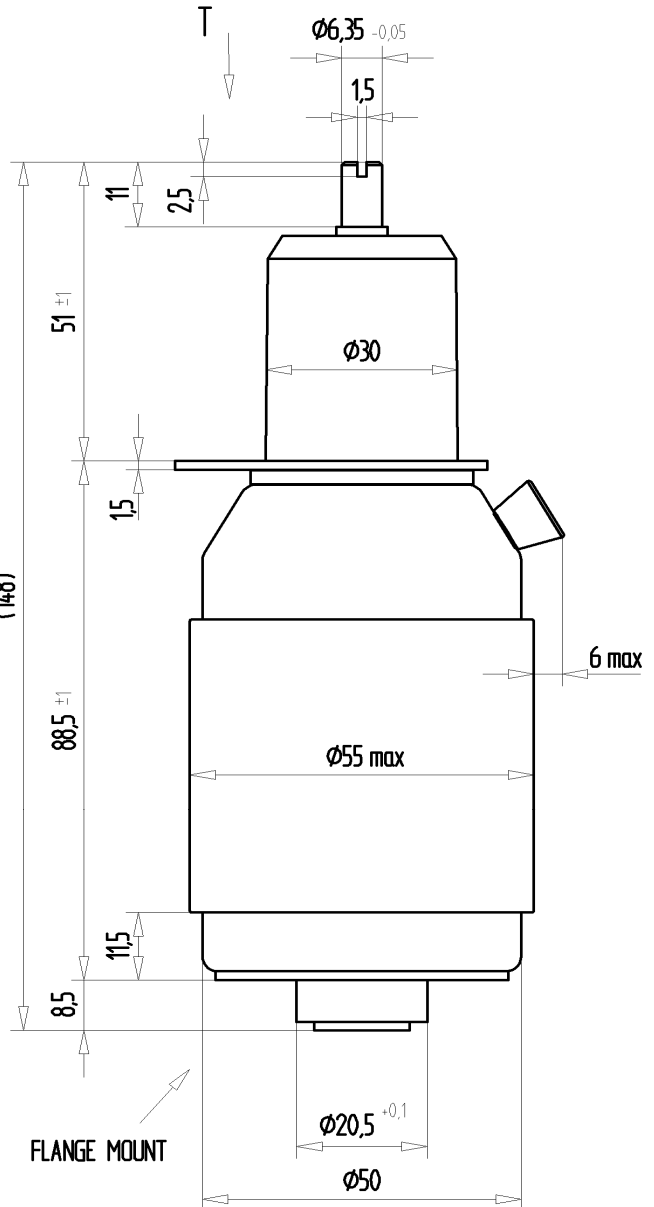
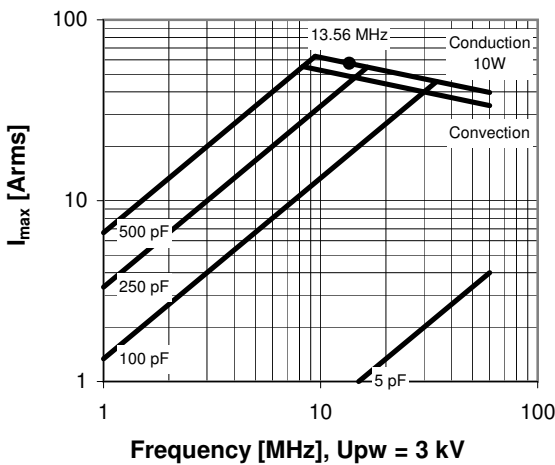
Old Type Designation: CV05C-500P

Specifications	
Capacity C_{max} (nominal)	500 pF
Capacity C_{min} (nominal)	5 pF
Voltage (Peak Test U_{pt} / Peak Working U_{pw})	5 kV / 3 kV
Capacity Tolerance (linear Range)	10%
Max. Current I_{max} at 13.56 MHz with	57 Arms
Conduction Cooling	10 W
Self Inductance	≤ 9 nH
Capacitance per turn	20.7 pF/turn
Torque	≤ 0.15 Nm
Net Weight	0.5 kg
Mounting Flange (optional)	058-005

VIEW T



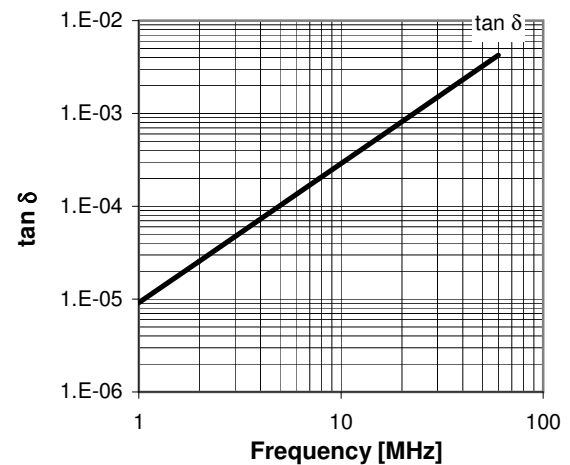
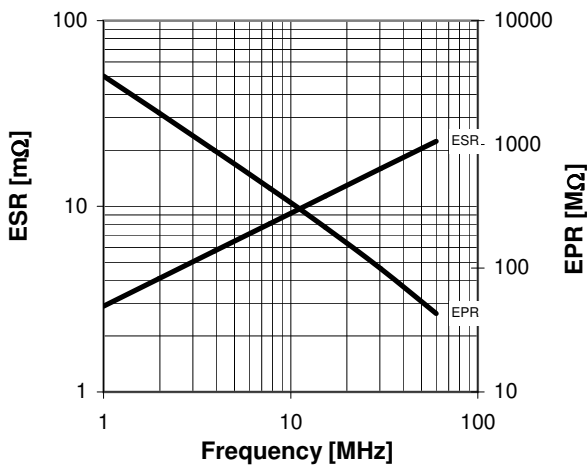
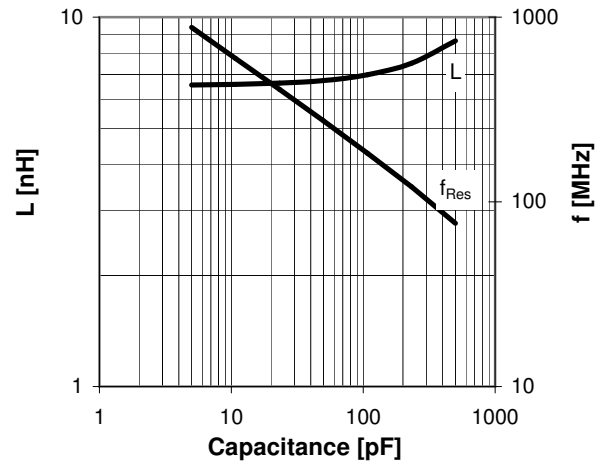
I_{max} at 25°C ambient and 125°C surface temp. for convection and conduction (10 W) cooling (1/40)



Turns	Nominal Capacitance [pF]	Tolerance
-3.9	5.0	10%
-3.0	5.8	10%
-1.5	9.2	10%
0.0	27.0	0%
5.0	127.4	10%
10.0	229.4	10%
15.0	332.8	10%
20.0	437.0	10%
22.9	500.0	10%

Mechanical stop at < 5 pF at ~ -8.1 turns
Mechanical stop at > 500 pF at ~ 23.3 turns

Self inductance and resonance frequency



Special Features:

Flange-Mount