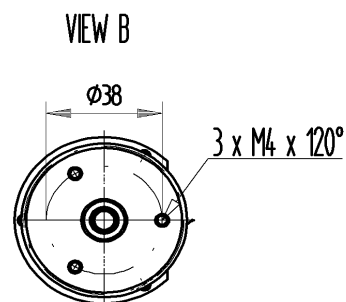
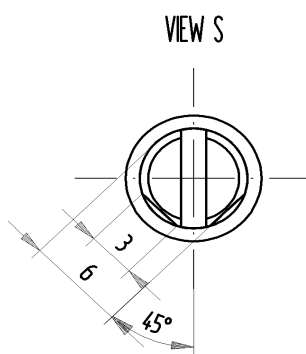
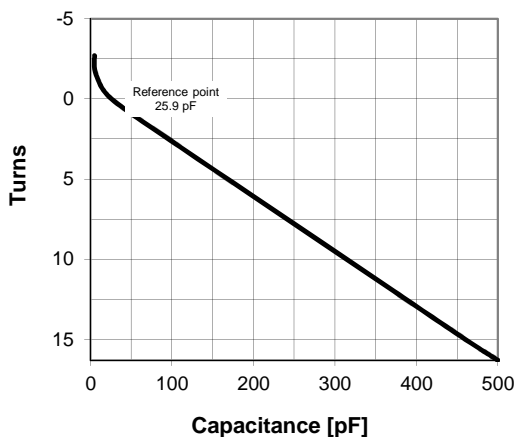
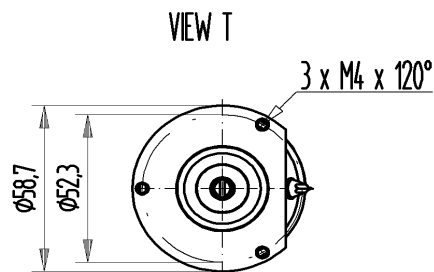


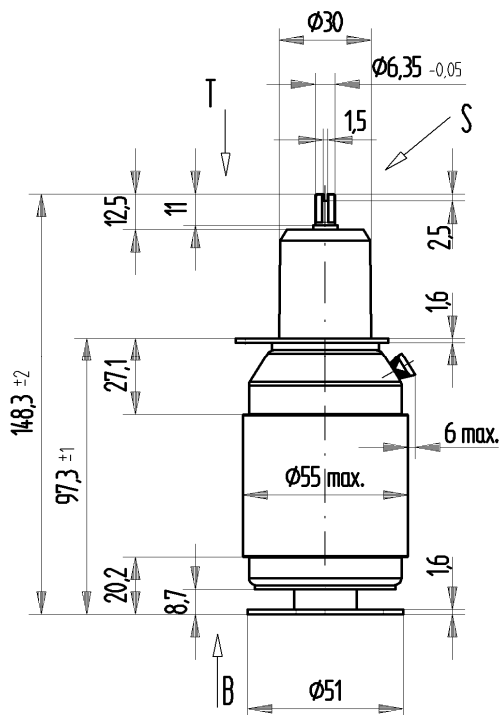
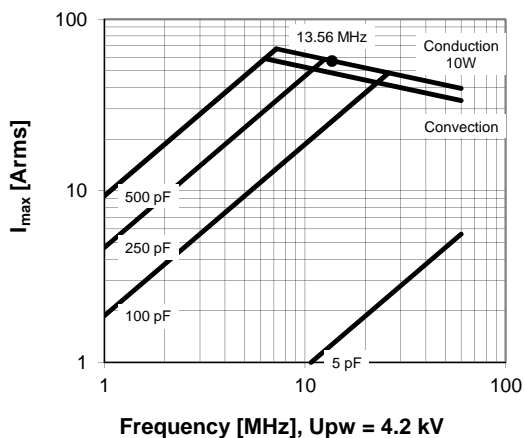
# CVBA-500BC/7-BEA-L

Old Type Designation: CV05C-500W

Specifications	
Capacitance $C_{max}$ (nominal)	500 pF
Capacitance $C_{min}$ (nominal)	5 pF
Voltage (Peak Test $U_{pt}$ / Peak Working $U_{pw}$ )	7 kV / 4.2 kV
Capacitance Tolerance (linear Range)	10%
Max. Current $I_{max}$ at 13.56 MHz with	57 Arms
Conduction Cooling	10 W
Self Inductance	$\leq 9$ nH
Capacitance per turn	29.1 pF/turn
Torque	$\leq 0.15$ Nm
Net Weight	0.6 kg



$I_{max}$  at 25°C ambient and 125°C surface temp. for convection and conduction (10 W) cooling



Subject to change without prior notice

Note: Technical information in Service Bulletin SB-52 must be considered

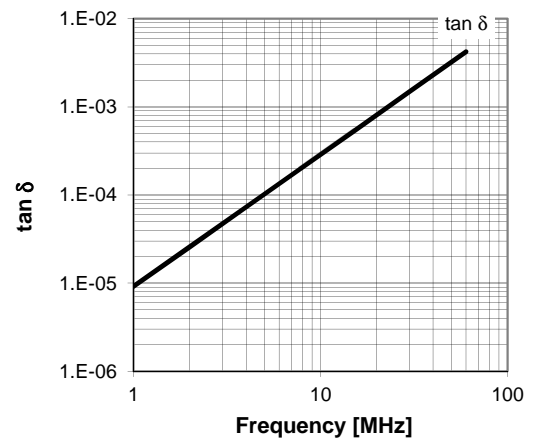
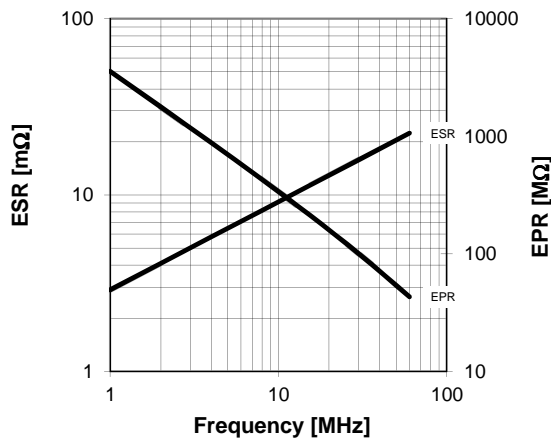
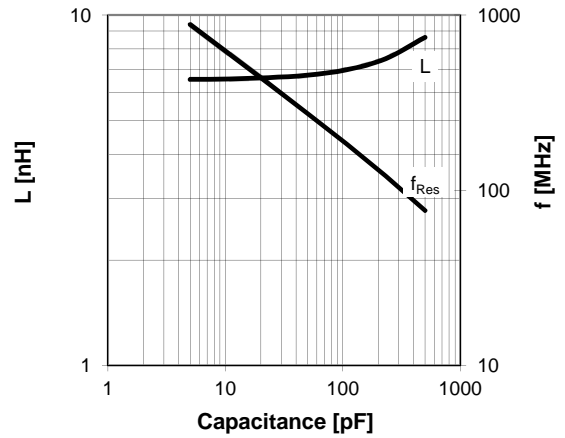
# CVBA-500BC/7-BEA-L

Old Type Designation: CV05C-500W

Turns	Nominal Capacitance [pF]	Tolerance
-2.7	5.0	10%
-1.5	7.0	10%
0.0	25.9	0%
3.0	110.2	10%
6.0	197.7	10%
9.0	285.2	10%
12.0	372.7	10%
15.0	460.2	10%
16.3	500.0	10%

Mechanical stop at < 5 pF at ~ -6.1 turns  
Mechanical stop at > 500 pF at ~ 16.6 turns

Self inductance and resonance frequency



<b>Special Features:</b>
Integrated Flange

Subject to change without prior notice

Note: Technical information in Service Bulletin  
SB-52 must be considered