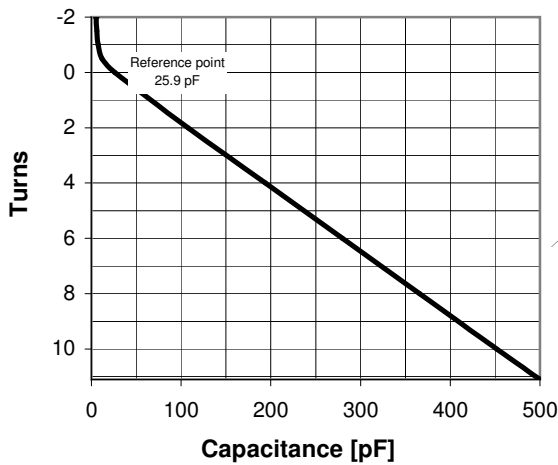
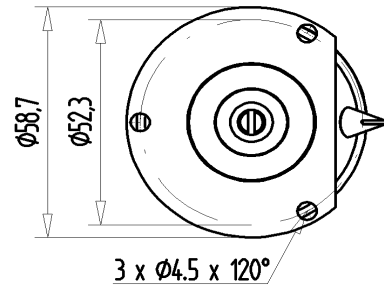


CVBA-500CC/5-BEK-L

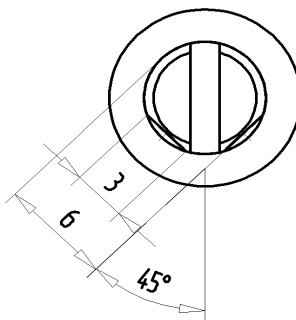
Old Type Designation: CV05C-500Y

Specifications	
Capacity C_{max} (nominal)	500 pF
Capacity C_{min} (nominal)	5 pF
Voltage (Peak Test U_{pt} / Peak Working U_{pw})	5 kV / 3 kV
Capacity Tolerance (linear Range)	10%
Max. Current I_{max} at 13.56 MHz with	57 Arms
Conduction Cooling	10 W
Self Inductance	≤ 9 nH
Capacitance per turn	42.7 pF/turn
Torque	≤ 0.2 Nm
Net Weight	0.6 kg

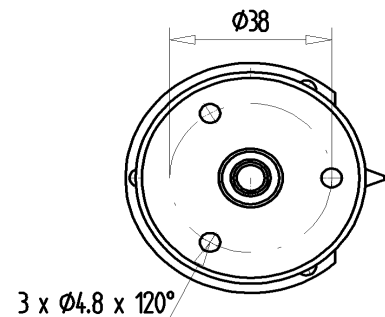
VIEW T



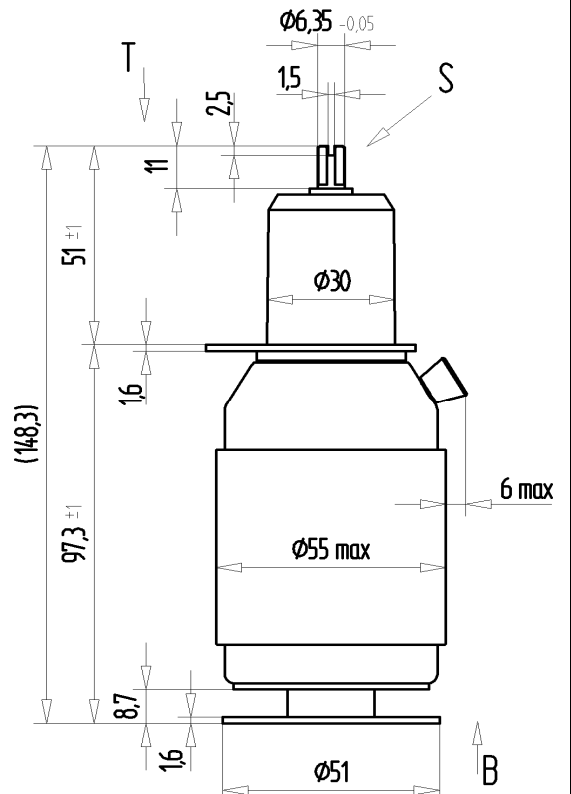
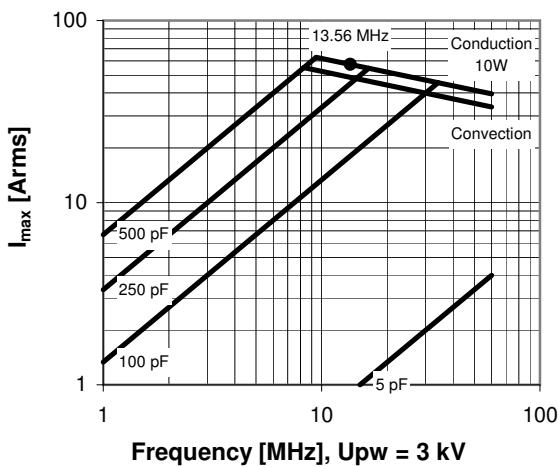
VIEW S



VIEW B



I_{max} at 25°C ambient and 125°C surface temp. for convection and conduction (10 W) cooling



Subject to change without prior notice

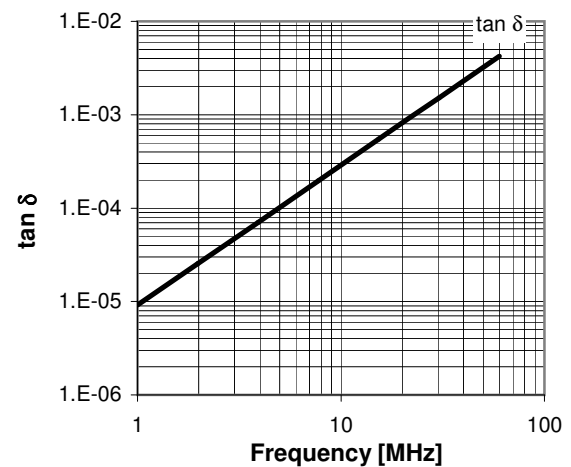
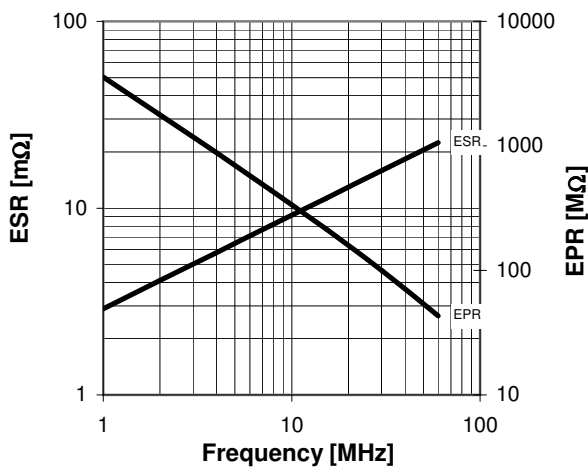
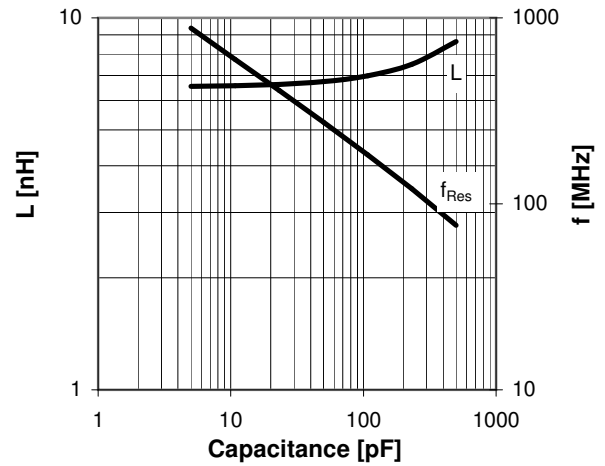
Note: Technical information in Service Bulletin SB-52 must be considered

Turns	Nominal Capacitance [pF]	Tolerance
-2.0	5.0	10%
-1.5	5.9	10%
-1.0	7.5	10%
-0.5	11.7	10%
0.0	25.9	0%
2.0	107.8	10%
4.0	193.8	10%
6.0	279.8	10%
8.0	365.9	10%
10.0	451.9	10%
11.1	500.0	10%

Mechanical stop at < 5 pF at ~ -4 turns

Mechanical stop at > 500 pF at ~ 11.3 turns

Self inductance and resonance frequency



Special Features:

Integrated Flange

Subject to change without prior notice

Note: Technical information in Service Bulletin
SB-52 must be considered