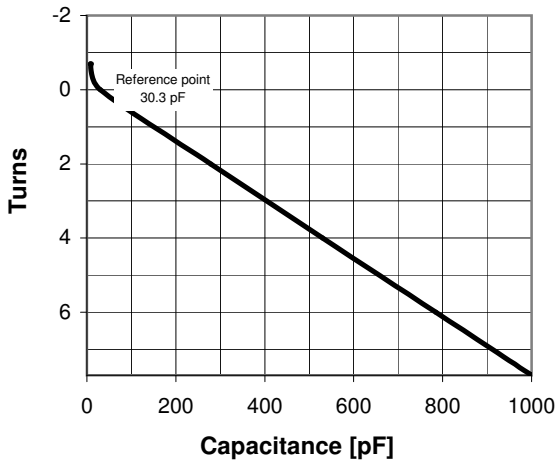
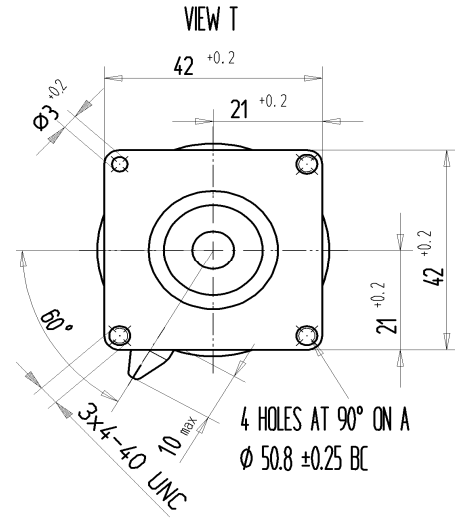


## CVDU-1000AC/3-GAF-U

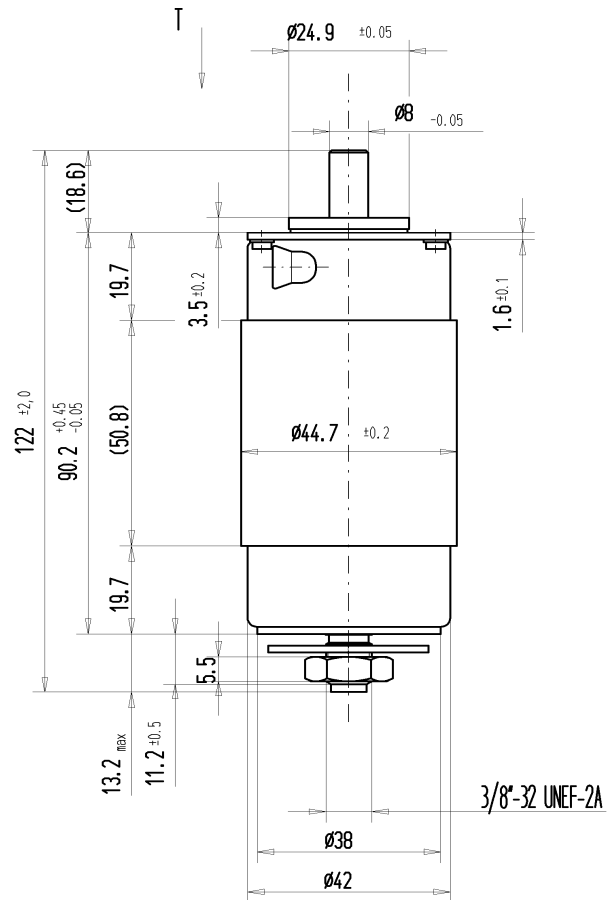
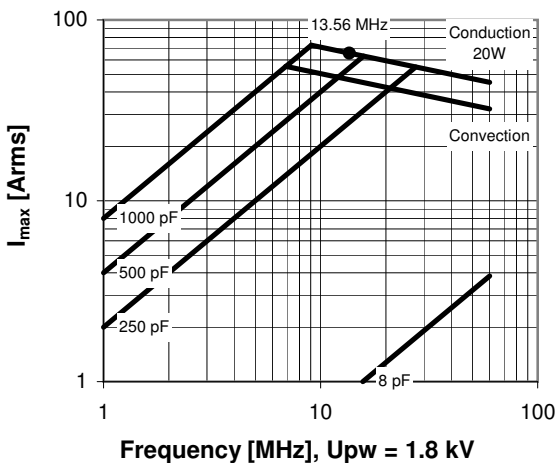
Old Type Designation: CV03C-1000G

### Specifications

Capacity $C_{max}$ (nominal)	1000 pF
Capacity $C_{min}$ (nominal)	8 pF
Voltage (Peak Test $U_{pt}$ / Peak Working $U_{pw}$ )	3 kV / 1.8 kV
Capacity Tolerance (linear Range)	10%
Max. Current $I_{max}$ at 13.56 MHz with Conduction Cooling	65 Arms
Capacity per turn	125.9 pF/turn
Torque	$\leq 0.15$ Nm
Net Weight	0.4 kg



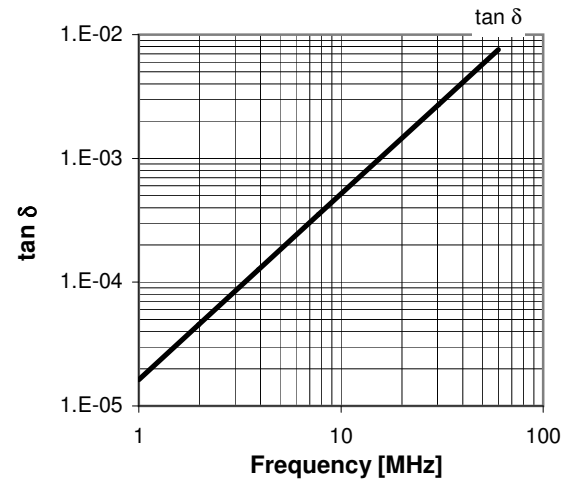
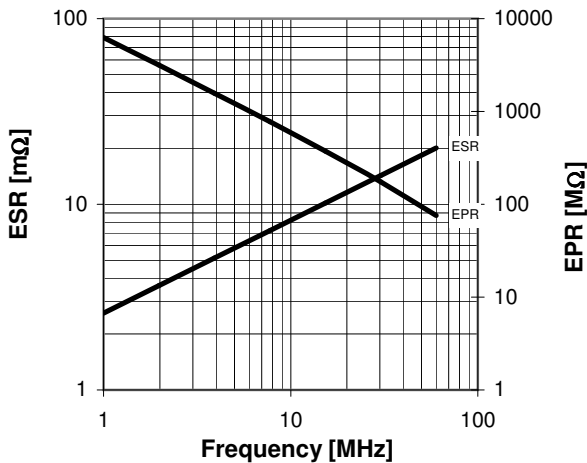
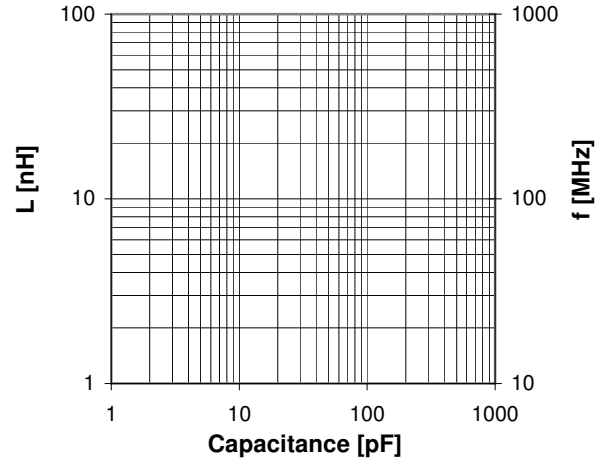
$I_{max}$  at 25 °C ambient and 125 °C surface temp. for convection and conduction (20 W) cooling



Turns	Nominal Capacitance [pF]	Tolerance
-0.7	8.0	10%
0.0	30.3	0%
2.0	278.3	10%
4.0	530.0	10%
6.0	784.6	10%
7.7	1000.0	10%

Mechanical stop at < 8 pF at ~ -2.3 turns  
Mechanical stop and short circuit at > 1000 pF

Self inductance and resonance frequency



**Special Features:**

Short-Circuit-Feature

**Type Ordering Information:**

CVDU-1000AC/3-GAF-U      Upt

3 kV