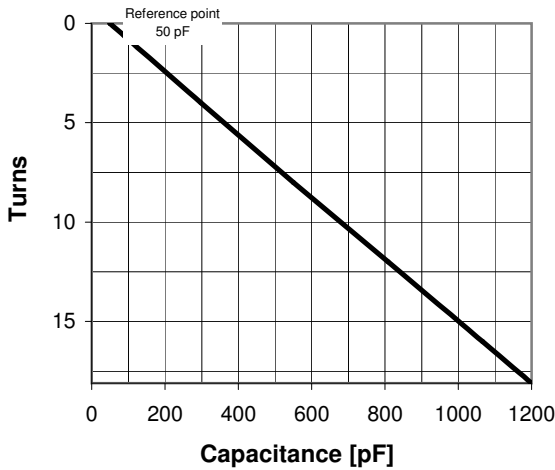
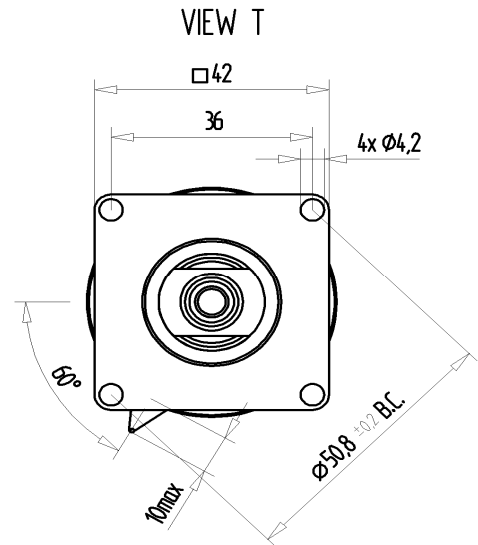


CVDU-1200AC/5-CGD

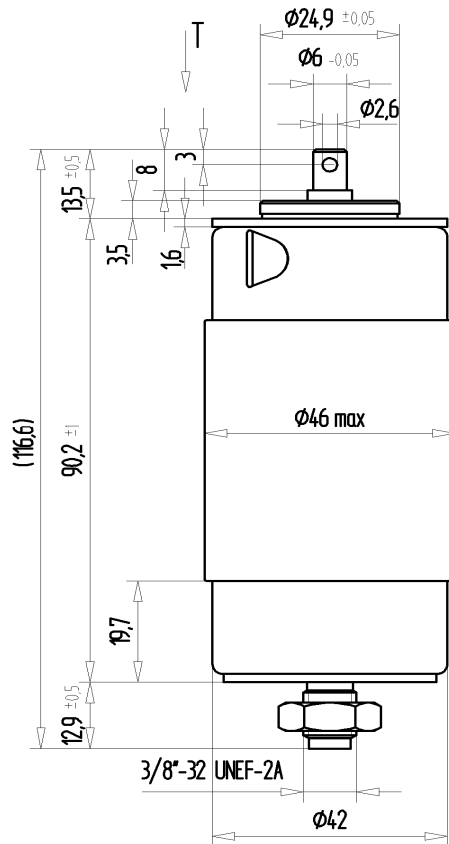
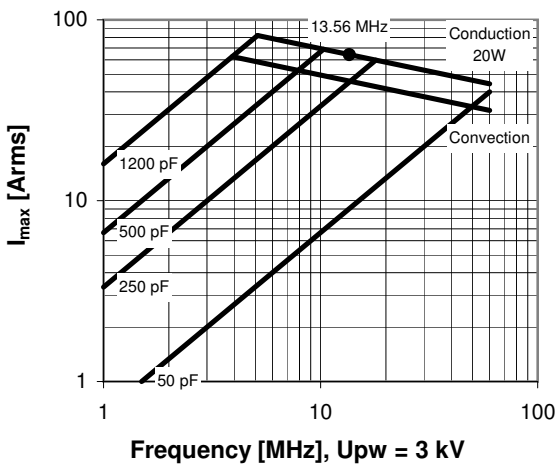
Old Type Designation: CV03C-1200B

Specifications

Capacity C_{max} (nominal)	1200 pF
Capacity C_{min} (nominal)	50 pF
Voltage (Peak Test U_{pt} / Peak Working U_{pw})	5 kV / 3 kV
Capacity Tolerance (linear Range)	10%
Max. Current I_{max} at 13.56 MHz with	64 Arms
Conduction Cooling	20 W
Self Inductance	≤ 7 nH
Capacitance per turn	63.5 pF/turn
Torque	≤ 0.15 Nm
Net Weight	0.4 kg



I_{max} at 25°C ambient and 125°C surface temp. for convection and conduction (20 W) cooling



Turns	Nominal Capacitance [pF]	Tolerance
0.0	50.0	0%
4.0	298.0	10%
8.0	550.4	10%
12.0	808.5	10%
16.0	1066.6	10%
18.1	1200.0	10%

Mechanical stop at < 50 pF at ~ -0.3 turns
Mechanical stop at > 1200 pF at ~ 18.3 turns

Self inductance and resonance frequency

