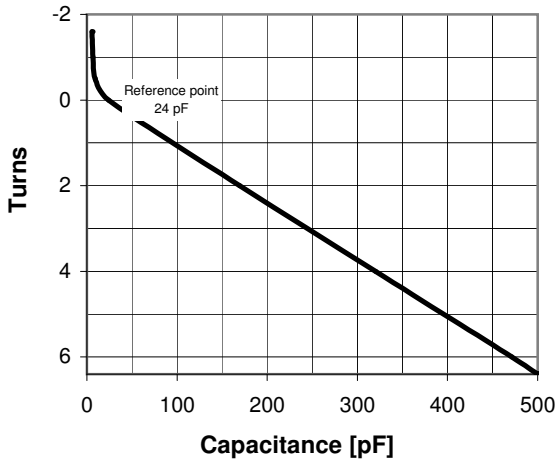


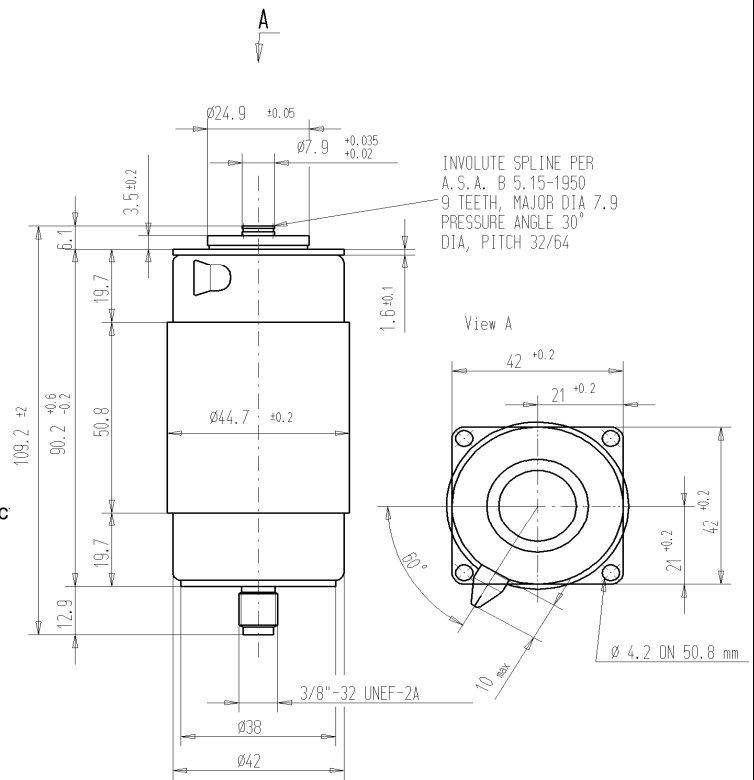
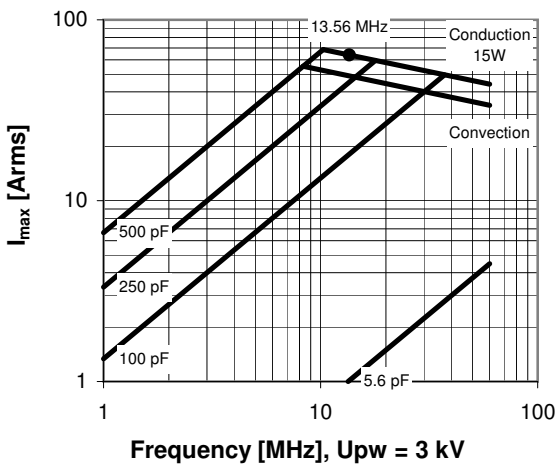
CVDU-500AC/5-FRF-U

Old Type Designation: CV05C-500H

Specifications	
Capacity C_{max} (nominal)	500 pF
Capacity C_{min} (nominal)	5.6 pF
Voltage (Peak Test U_{pt} / Peak Working U_{pw})	5 kV / 3 kV
Capacity Tolerance (linear Range)	10%
Max. Current I_{max} at 13.56 MHz with Conduction Cooling	63 Arms
Self Inductance	≤ 7 nH
Capacitance per turn	74.4 pF/turn
Torque	≤ 0.15 Nm
Net Weight	0.4 kg



I_{max} at 25°C ambient and 125°C surface temp. for convec and conduction (15 W) cooling



Subject to change without prior notice

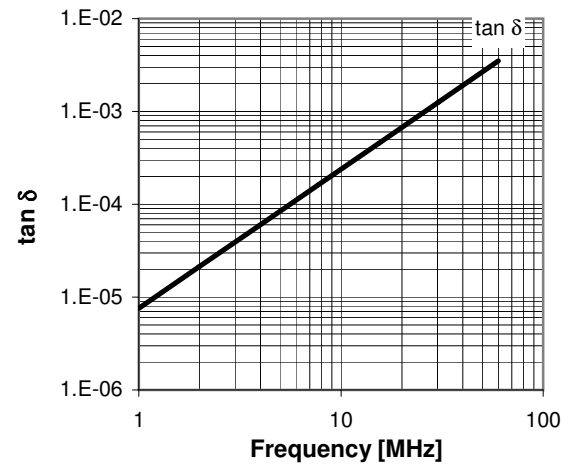
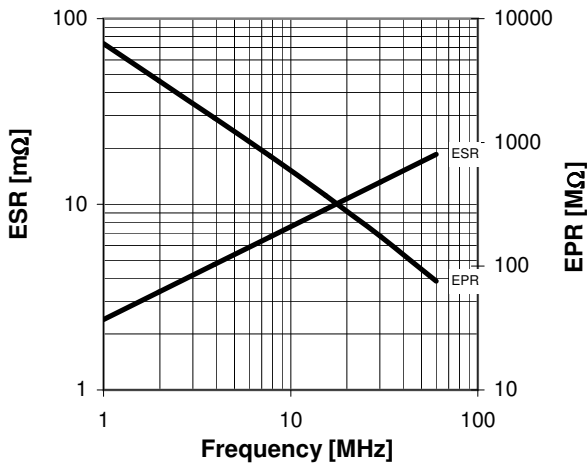
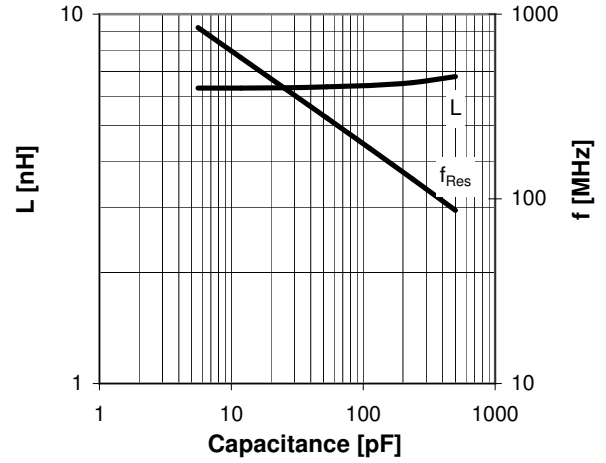
Note: Technical information in Service Bulletin SB-52 must be considered

Issue: 21-Sep-2009

Turns	Nominal Capacitance [pF]	Tolerance
-1.6	5.6	10%
-1.0	6.9	10%
-0.5	9.3	10%
0.0	24.0	0%
2.0	169.3	10%
4.0	320.3	10%
6.0	471.3	10%
6.4	500.0	10%

Mechanical stop at < 5.6 pF at ~ -3.4 turns
Mechanical stop and short circuit at > 500 pF

Self inductance and resonance frequency



Special Features:

Short-Circuit-Feature

Subject to change without prior notice

Note: Technical information in Service Bulletin
SB-52 must be considered

Issue: 21-Sep-2009