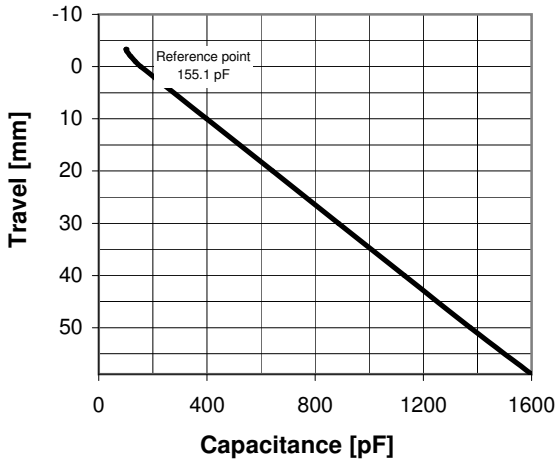


CVHA-1600AW/60-ZGP-N

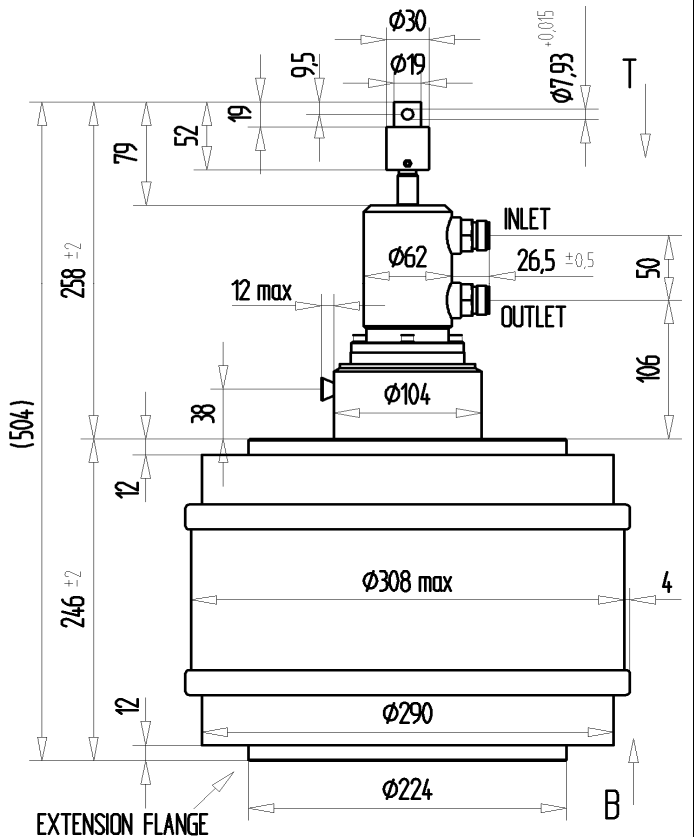
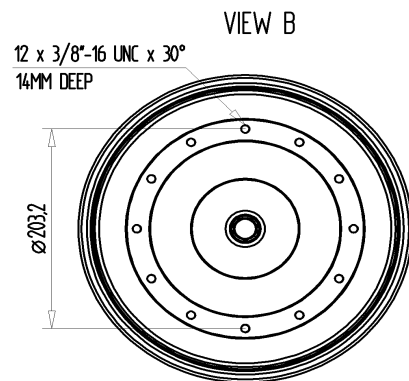
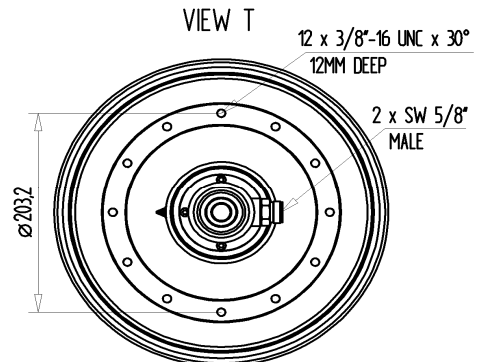
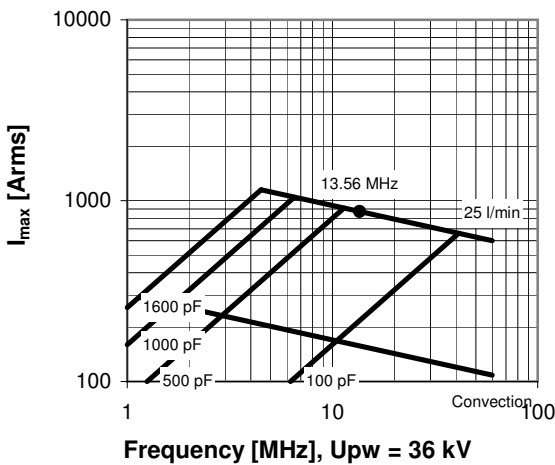
Old Type Designation: CV4W-1600E

Specifications

Capacity C_{max} (nominal)	1600 pF
Capacity C_{min} (nominal)	100 pF
Voltage (Peak Test U_{pt} / Peak Working U_{pw})	60 kV / 36 kV
Capacity Tolerance (linear Range)	10%
Max. Current I_{max} at 13.56 MHz with	870 Arms
Water Cooling	25 l/min
Self Inductance	≤ 44 nH
Capacitance per mm	24.5 pF/mm
Pull Force	≤ 780 N
Net Weight	44 kg
Mounting Flange (optional)	214-005



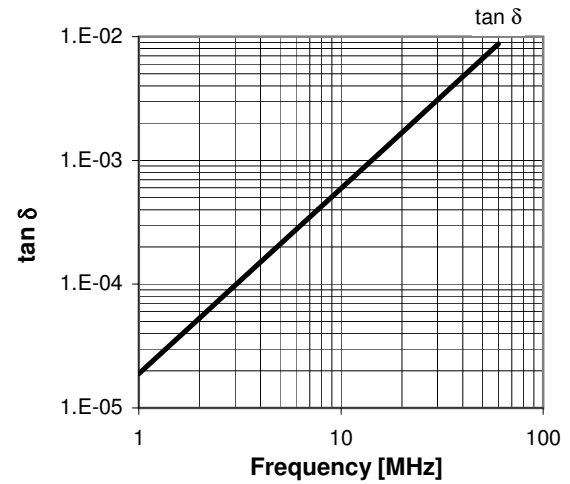
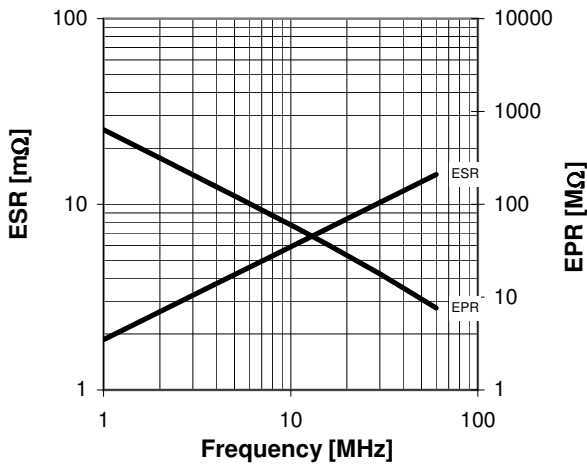
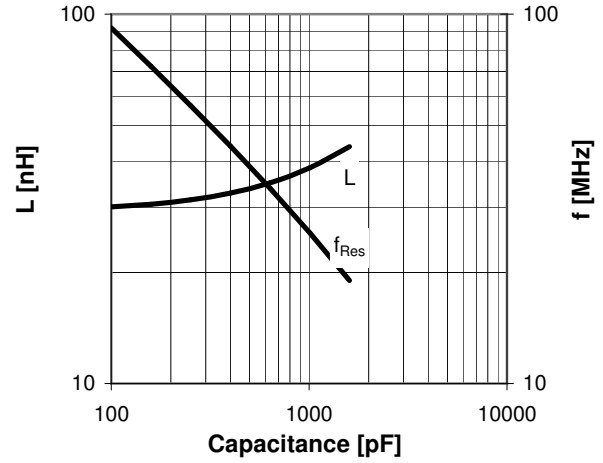
I_{max} for 25 l/min water cooling; max. water temp. at inlet: 70°C;
fixed end has to be cooled with min. 50 W



Travel [mm]	Nominal Capacitance [pF]	Tolerance
-3.3	100.0	10%
-3.0	103.3	10%
-2.0	117.8	10%
-1.0	135.2	10%
0.0	155.1	0%
10.0	399.3	10%
20.0	642.9	10%
30.0	886.4	10%
40.0	1130.0	10%
50.0	1373.6	10%
58.9	1600.0	10%

Mechanical stop at < 100 pF at ~ -9 mm
Mechanical stop at > 1600 pF at ~ 59.6 mm

Self inductance and resonance frequency



Special Features:

Turbulence Cooling