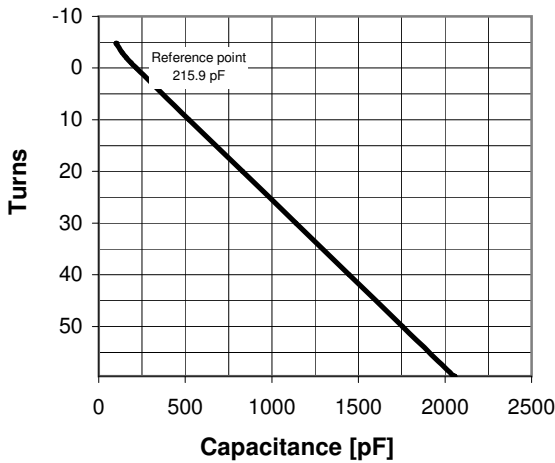


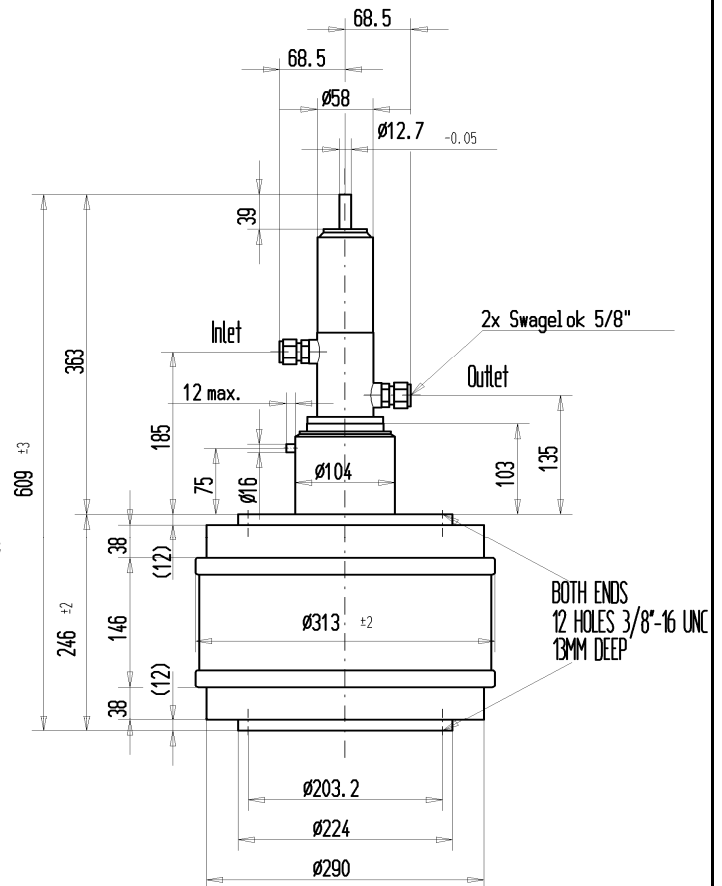
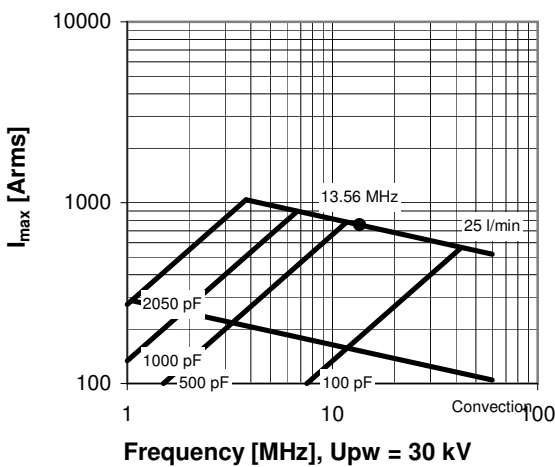
## CVHA-2050AW/50-AAG-N

Old Type Designation: CV4W-2050E

Specifications	
Capacity $C_{max}$ (nominal)	2050 pF
Capacity $C_{min}$ (nominal)	100 pF
Voltage (Peak Test $U_{pt}$ / Peak Working $U_{pw}$ )	50 kV / 30 kV
Capacity Tolerance (linear Range)	10%
Max. Current $I_{max}$ at 13.56 MHz with	753 Arms
Water Cooling	25 l/min
Capacitance per turn	30.8 pF/turn
Torque	$\leq 1.05$ Nm
Net Weight	46.5 kg
Mounting Flange (optional)	214-005



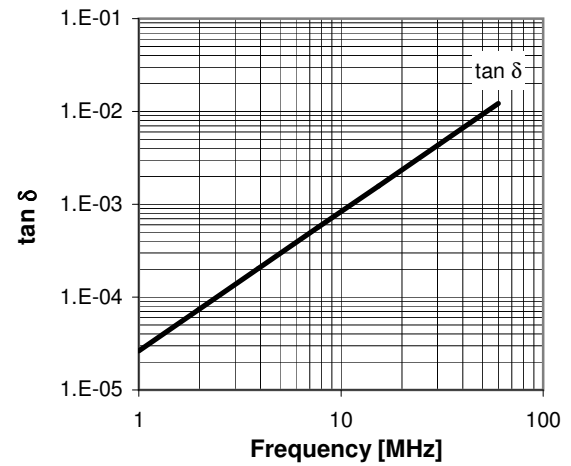
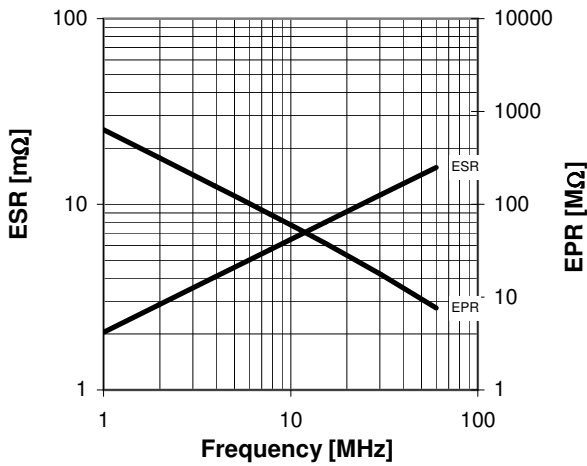
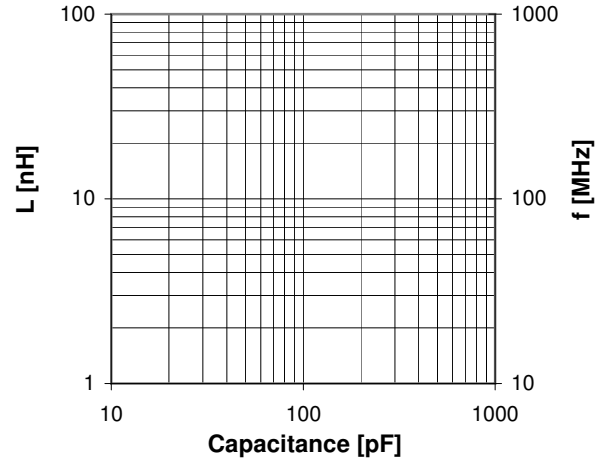
$I_{max}$  for 25 l/min water cooling; max. water temp. at inlet: 70°C  
fixed end has to be cooled with min. 50 W



Turns	Nominal Capacitance [pF]	Tolerance
-4.8	100.0	10%
-3.0	134.2	10%
-2.0	159.0	10%
-1.0	186.8	10%
0.0	215.9	0%
10.0	521.8	10%
20.0	830.0	10%
30.0	1138.2	10%
40.0	1446.4	10%
50.0	1754.7	10%
59.6	2050.0	10%

Mechanical stop at < 100 pF at ~ -6.9 turns  
Mechanical stop at > 2050 pF at ~ 60 turns

Self inductance and resonance frequency



**Special Features:**

Turbulence Cooling