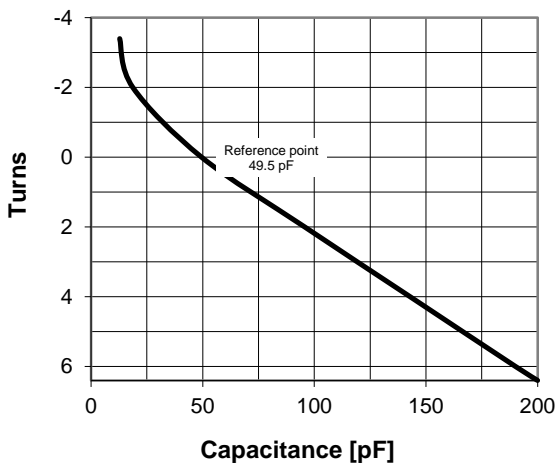
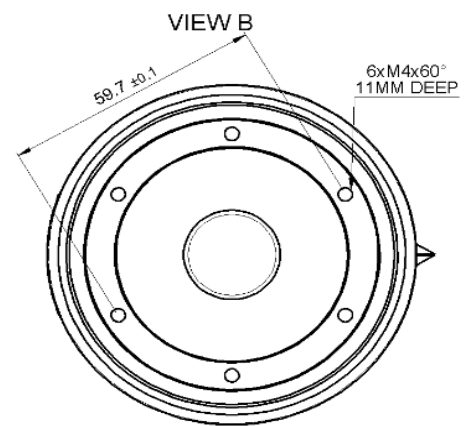
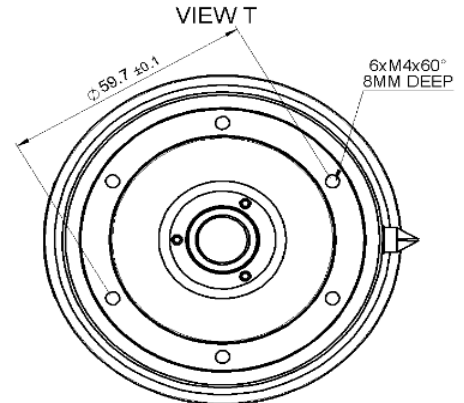


CVHE-200AC/15-AAAB-A1

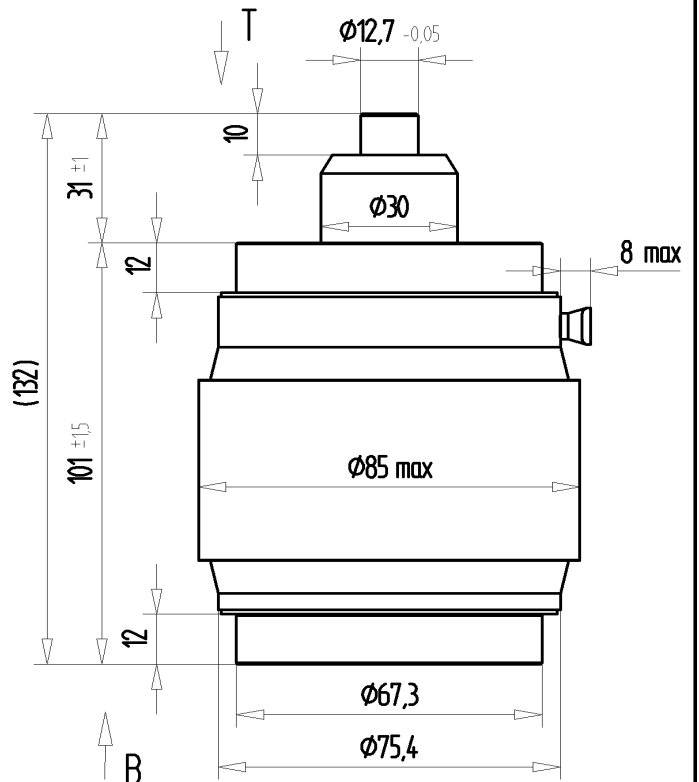
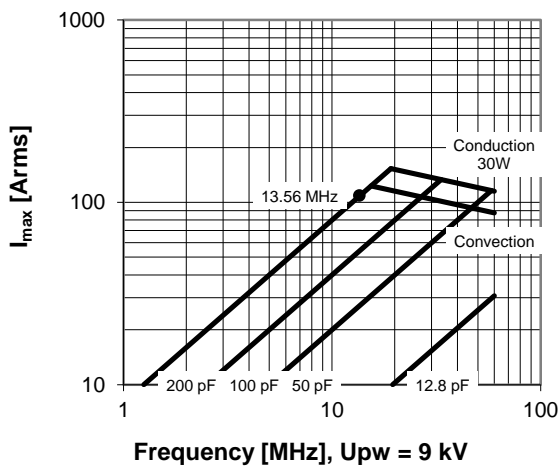
Old Type Designation: CV1C-200HL

Specifications

Capacity C_{max} (nominal)	200 pF
Capacity C_{min} (nominal)	12.8 pF
Voltage (Peak Test U_{pt} / Peak Working U_{pw})	15 kV / 9 kV
Capacity Tolerance (linear Range)	10%
Max. Current I_{max} at 13.56 MHz with	108 Arms
Conduction Cooling	30 W
Self Inductance	≤ 5 nH
Capacitance per turn	23.5 pF/turn
Torque	≤ 0.4 Nm
Net Weight	1.4 kg



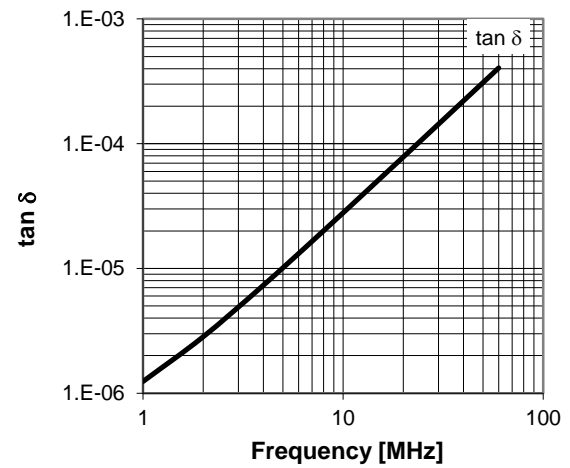
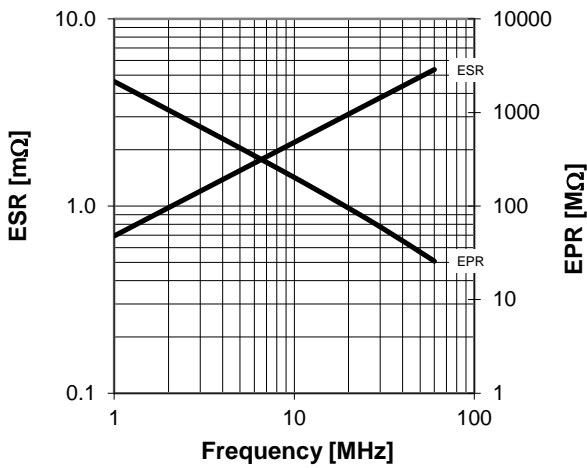
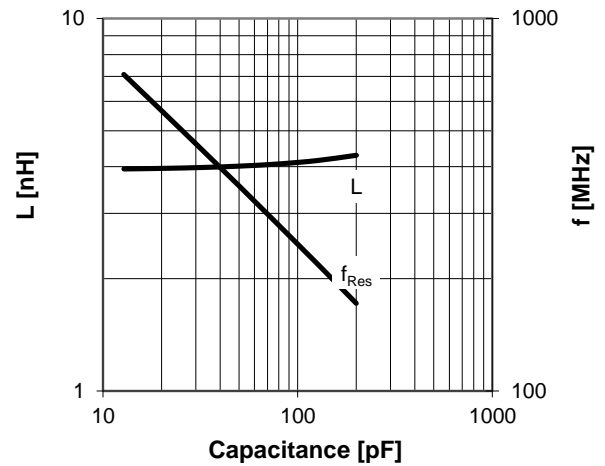
I_{max} at 25°C ambient and 125°C surface temp. for convection and conduction (30 W) cooling



Turns	Nominal Capacitance [pF]	Tolerance
-3.4	12.8	10%
-2.0	18.7	10%
0.0	49.5	0%
2.0	95.7	10%
4.0	142.9	10%
6.0	190.1	10%
6.4	200.0	10%

Slamindex at 12.8 ± 0.5 pF at -3.4 ± 0.5 turns
Mechanical stop at > 200 pF at ~ 6.7 turns

Self inductance and resonance frequency



Special Features:

Slam Index