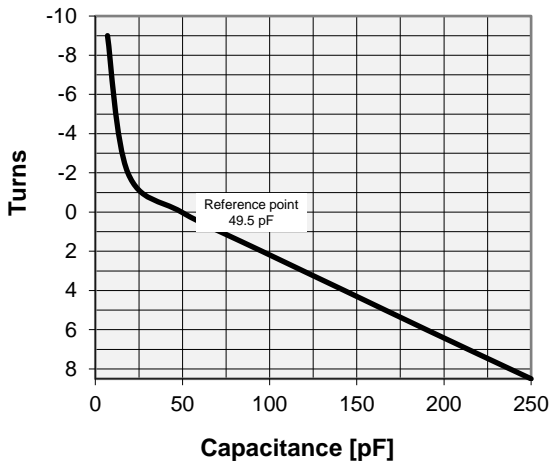
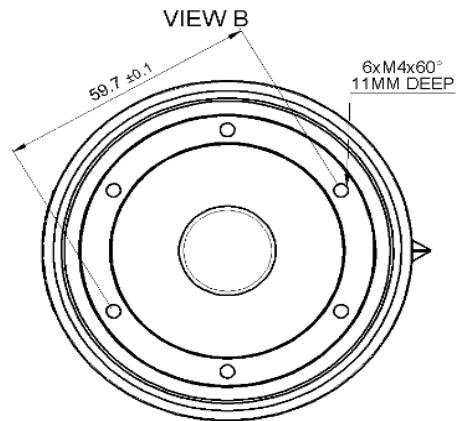
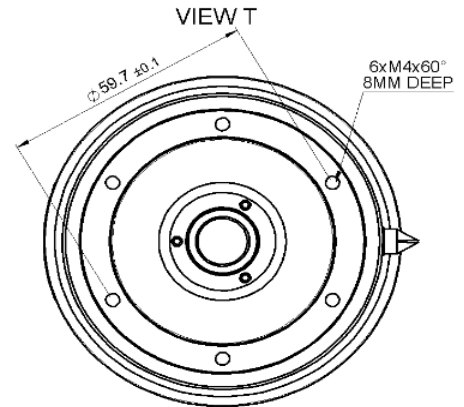


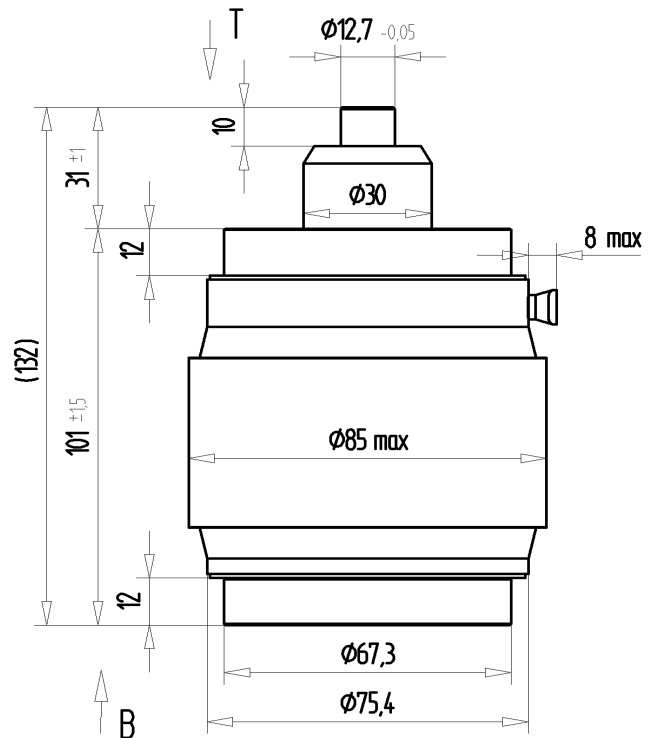
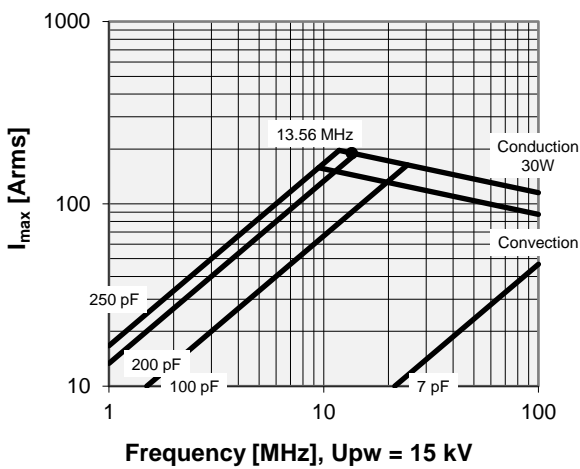
# CVHE-250AC/25-AAAD-A1

## Specifications

Capacity $C_{max}$ (nominal)	250 pF
Capacity $C_{min}$ (nominal)	7 pF
Voltage (Peak Test $U_{pt}$ / Peak Working $U_{pw}$ )	25 kV / 15 kV
Capacity Tolerance (linear Range)	10%
Max. Current $I_{max}$ at 13.56 MHz with	189 Arms
Conduction Cooling	30 W
Self Inductance	$\leq 5$ nH
Capacitance per turn	23.6 pF/turn
Torque	$\leq 0.4$ Nm
Net Weight	1.4 kg



$I_{max}$  at 25°C ambient and 125°C surface temp. for convection and conduction (30 W) cooling



Note:  
 Technical information in Service Bulletin  
 SB-52 must be considered  
 Subject to change without prior notice

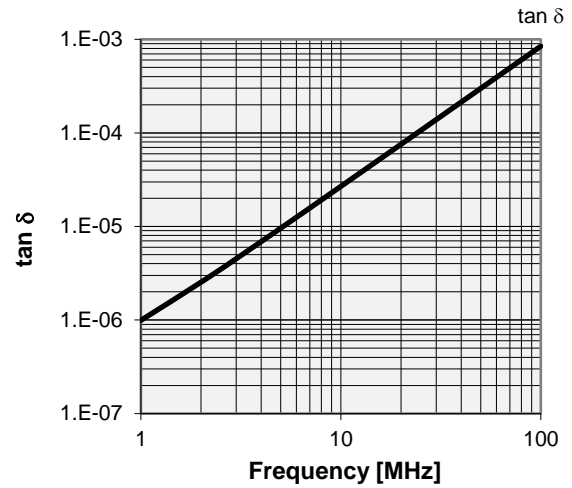
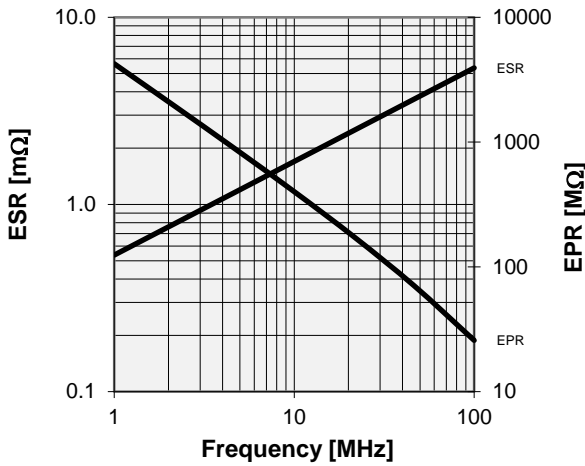
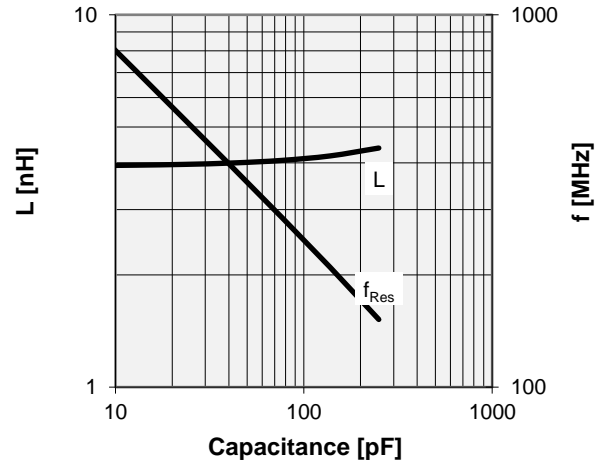
# CVHE-250AC/25-AAAD-A1

Turns	Nominal Capacitance [pF]	Tolerance
-9.0	7.0	10%
-2.0	18.7	10%
0.0	49.5	0%
2.0	95.7	10%
4.0	142.9	10%
6.0	190.0	10%
8.0	237.9	10%
8.5	250.0	10%

Slamindex at  $7 \pm 0.5$  pF at  $-9 \pm 1$  turns  
 Mechanical stop at  $> 250$  pF at  $\sim 9$  turns

Due to increased turns to reach Cmin position the lifetime of the belows will be reduced.  
 Values shown in SB-56 are not valid.

Self inductance and resonance frequency



<b>Special Features:</b> Slam Index, RoHS Compliant
--------------------------------------------------------