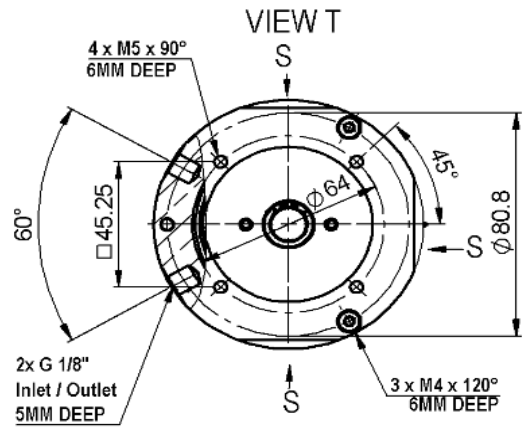


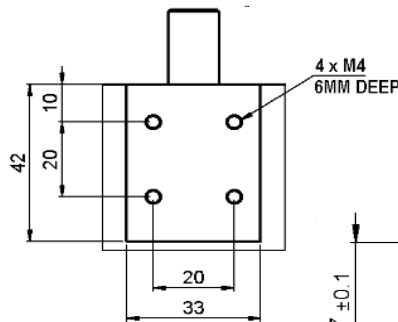
CVHE-250BW/25-AAAN-AS

Specifications

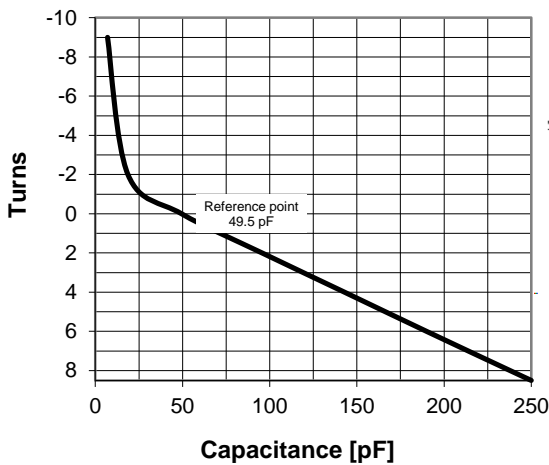
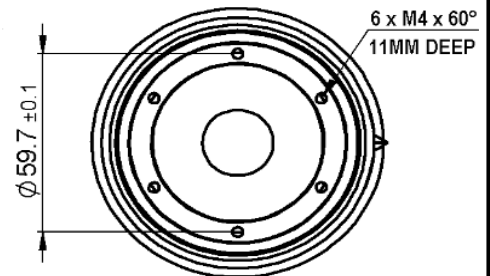
Capacitance C_{max} (nominal)	250 pF
Capacitance C_{min} (nominal)	7 pF
Voltage (Peak Test U_{pt} / Peak Working U_{pw})	25 kV / 15 kV
Capacitance Tolerance (linear Range)	10%
Max. Current I_{max} at 13.56 MHz with	225 Arms
Water Cooling	0.5 l/min
Self Inductance	≤ 5 nH
Capacitance per turn	23.6 pF/turn
Torque	≤ 0.25 Nm
Net Weight	3.5 kg



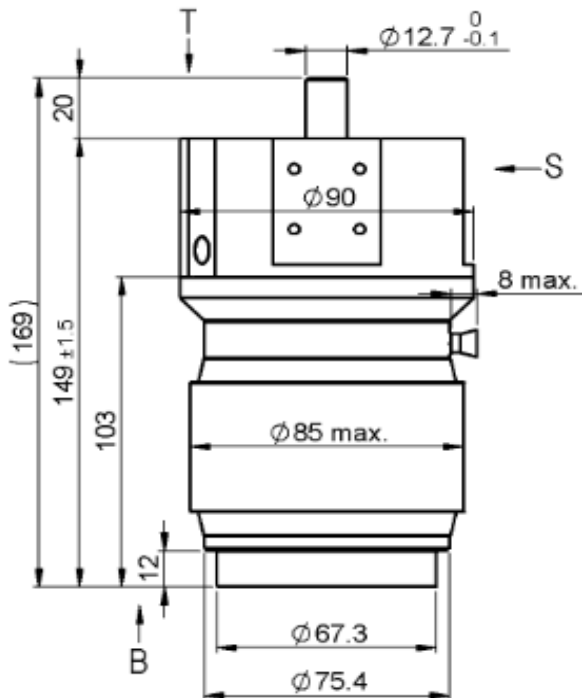
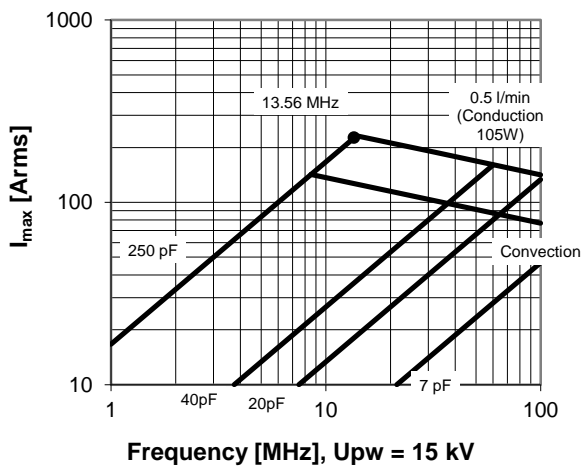
VIEW S



VIEW B



I_{max} for 0.5 l/min water cooling; max. water temp. at inlet: 40°C



Subject to change without prior notice

Note: Technical information in Service Bulletin SB-52 must be considered

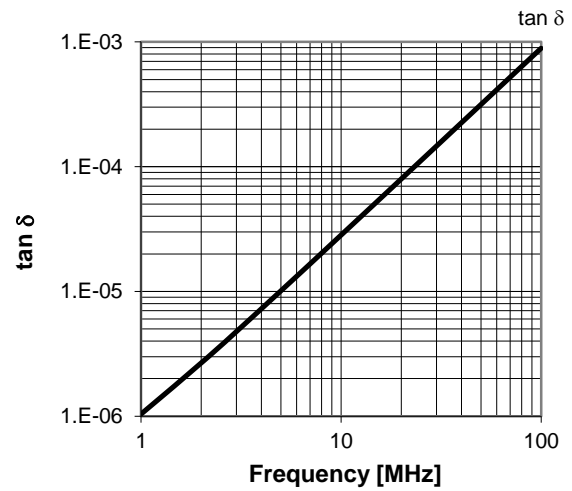
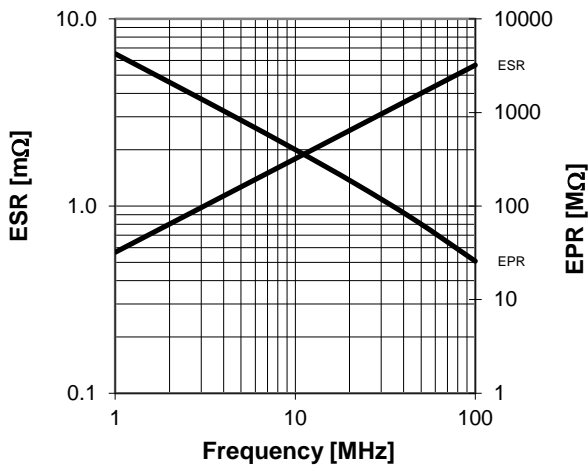
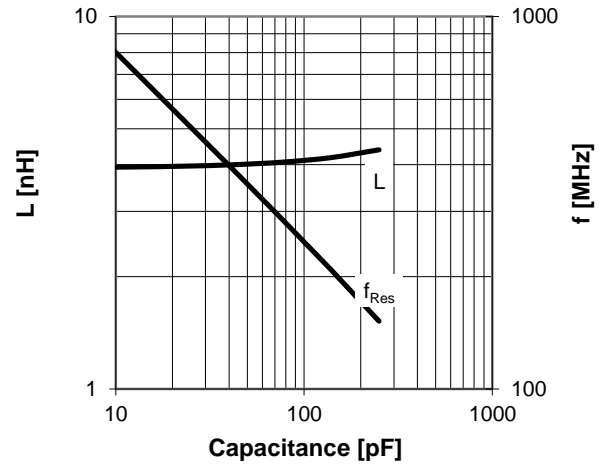
CVHE-250BW/25-AAAN-AS

Turns	Nominal Capacitance [pF]	Tolerance
-9.0	7.0	10%
-2.0	18.7	10%
0.0	49.5	0%
2.0	95.7	10%
4.0	142.9	10%
6.0	190.0	10%
8.0	237.9	10%
8.5	250.0	10%

≤ 0.2!

Slamindex at 7 ± 0.5 pF at -9 ± 1 turns
Mechanical stop at > 250 pF at ~ 9 turns

Self inductance and resonance frequency



Special Features:

Slam Index, RoHS Compliant

Subject to change without prior notice

Note: Technical information in Service Bulletin
SB-52 must be considered