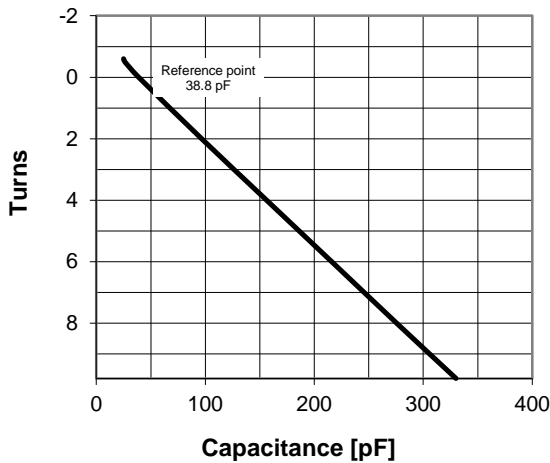
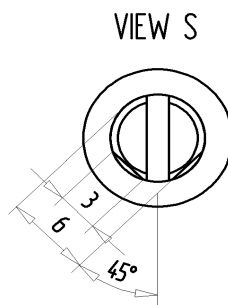
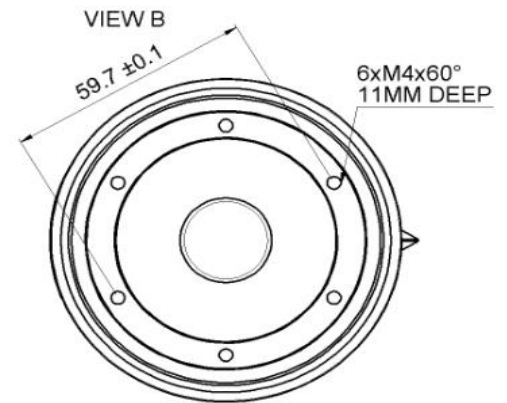
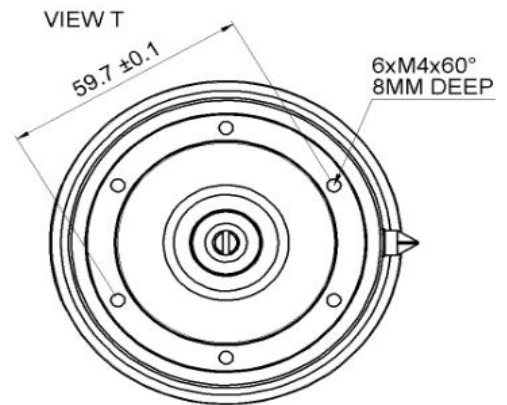
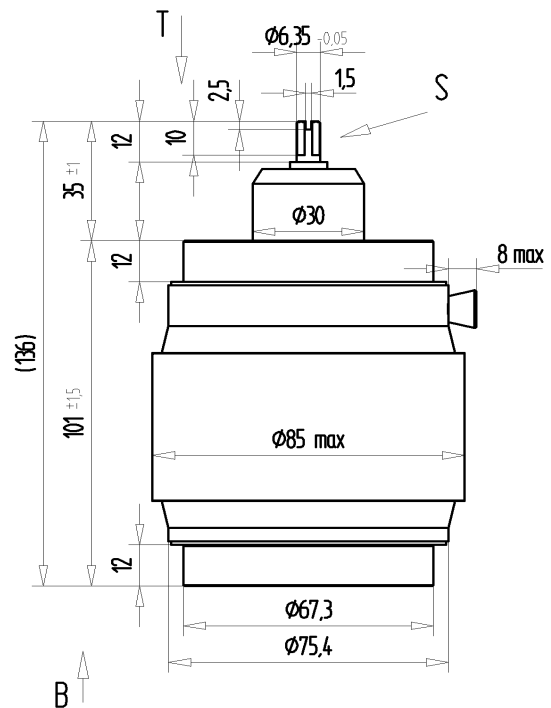
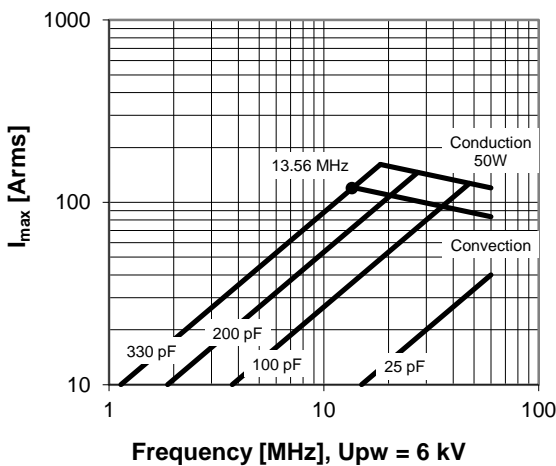


## CVHE-330AC/10-BEAC

Specifications	
Capacitance $C_{max}$ (nominal)	330 pF
Capacitance $C_{min}$ (nominal)	25 pF
Voltage (Peak Test $U_{pt}$ / Peak Working $U_{pw}$ )	10 kV / 6 kV
Capacitance Tolerance (linear Range)	10%
Max. Current $I_{max}$ at 13.56 MHz with	119 Arms
Conduction Cooling	50 W
Self Inductance	$\leq 6$ nH
Capacitance per turn	29.7 pF/turn
Torque	$\leq 0.4$ Nm
Net Weight	1.4 kg



$I_{max}$  at 25°C ambient and 125°C surface temp. for convection and conduction (50 W) cooling



Subject to change without prior notice

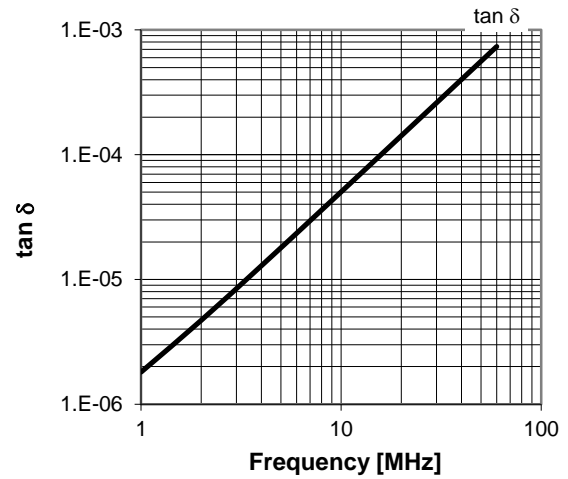
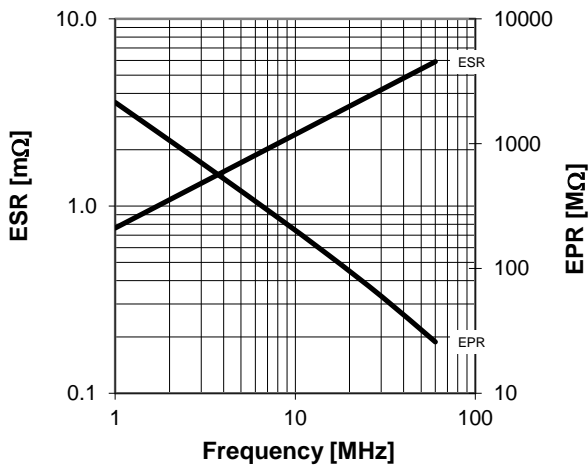
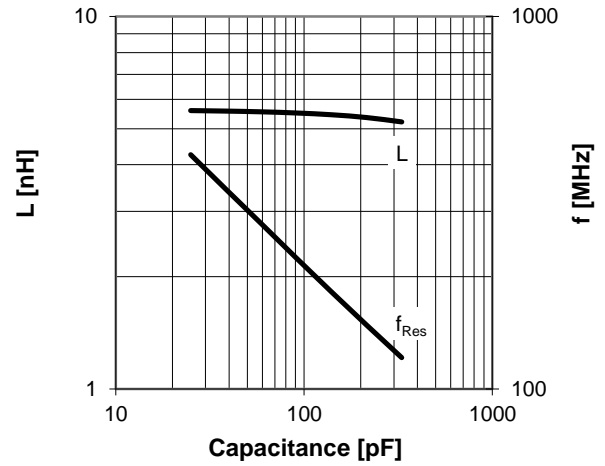
Note: Technical information in Service Bulletin SB-52 must be considered

## CVHE-330AC/10-BEAC

Turns	Nominal Capacitance [pF]	Tolerance
-0.6	25.0	10%
-0.5	26.2	10%
0.0	38.8	0%
2.0	96.6	10%
4.0	156.2	10%
6.0	215.9	10%
8.0	275.5	10%
9.8	330.0	10%

Mechanical stop at < 25 pF at ~ -11.6 turns  
Mechanical stop at > 330 pF at ~ 10.2 turns

Self inductance and resonance frequency



**Special Features:**

RoHS Compliant

Subject to change without prior notice

Note: Technical information in Service Bulletin  
SB-52 must be considered