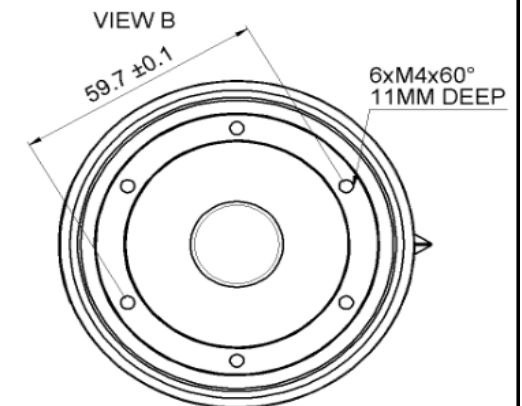
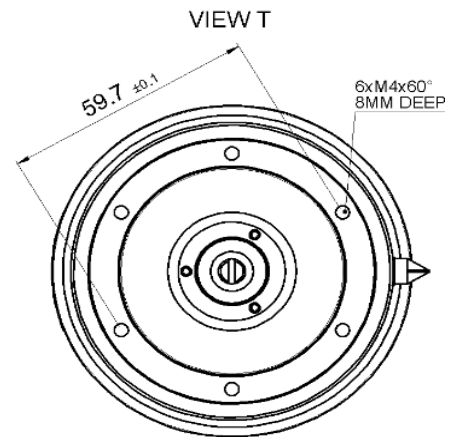
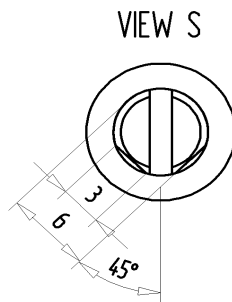
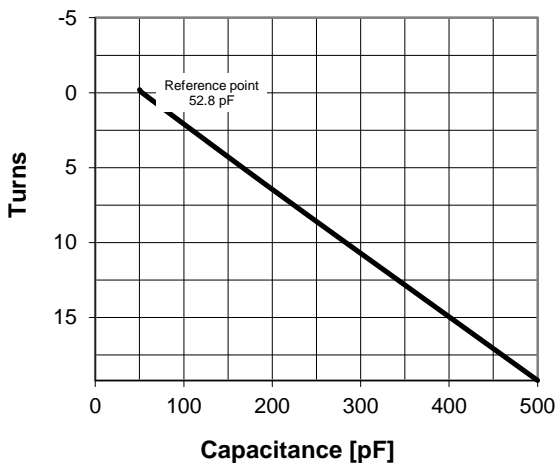


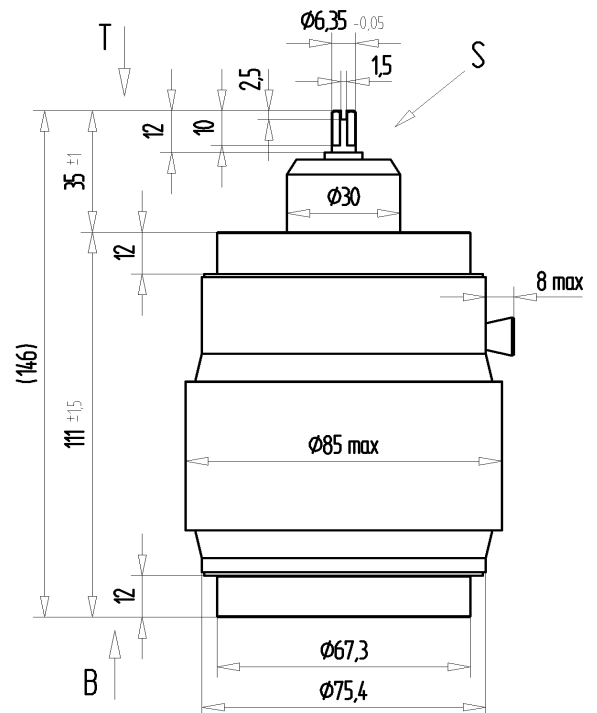
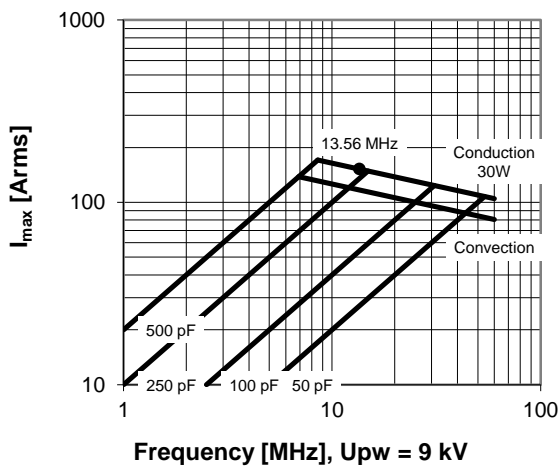
CVHE-500AC/15-BEAA-A

Specifications

Capacity C_{max} (nominal)	500 pF
Capacity C_{min} (nominal)	50 pF
Voltage (Peak Test U_{pt} / Peak Working U_{pw})	15 kV / 9 kV
Capacity Tolerance (linear Range)	10%
Max. Current I_{max} at 13.56 MHz with	152 Arms
Conduction Cooling	30 W
Self Inductance	≤ 6 nH
Capacitance per turn	23.3 pF/turn
Torque	≤ 0.4 Nm
Net Weight	1.4 kg



I_{max} at 25°C ambient and 125°C surface temp. for convection and conduction (30 W) cooling

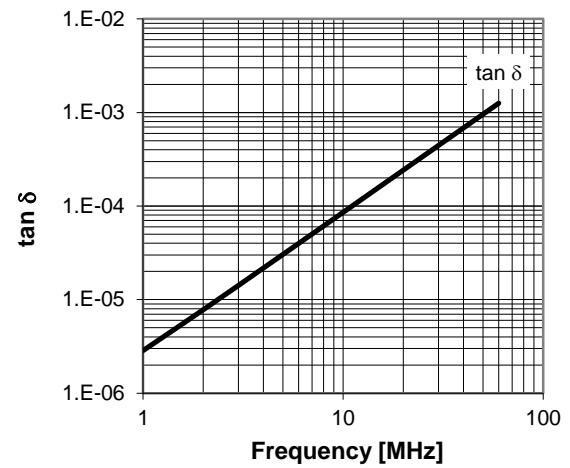
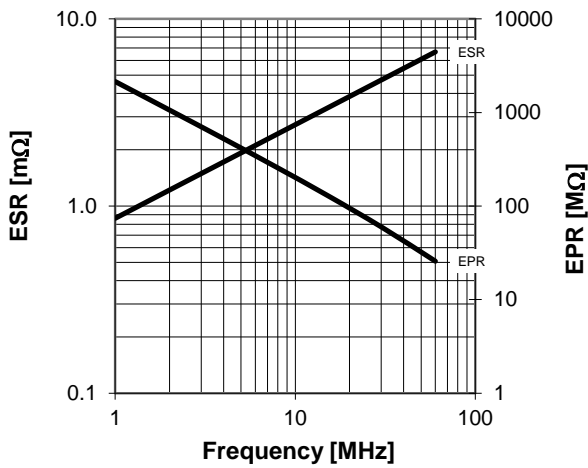
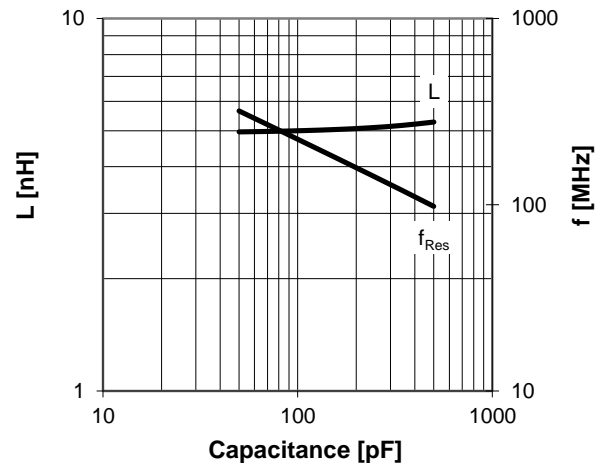


CVHE-500AC/15-BEAA-A

Turns	Nominal Capacitance [pF]	Tolerance
-0.2	50.0	10%
0.0	52.8	0%
4.0	143.6	10%
8.0	236.1	10%
12.0	330.3	10%
16.0	424.6	10%
19.2	500.0	10%

Slamindex at 50 ± 1 pF at -0.2 ± 0.05 turns
Mechanical stop at > 500 pF at ~ 19.4 turns

Self inductance and resonance frequency



Special Features:

Slam Index