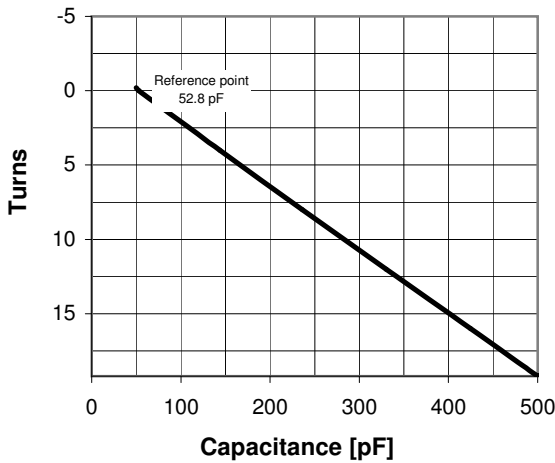
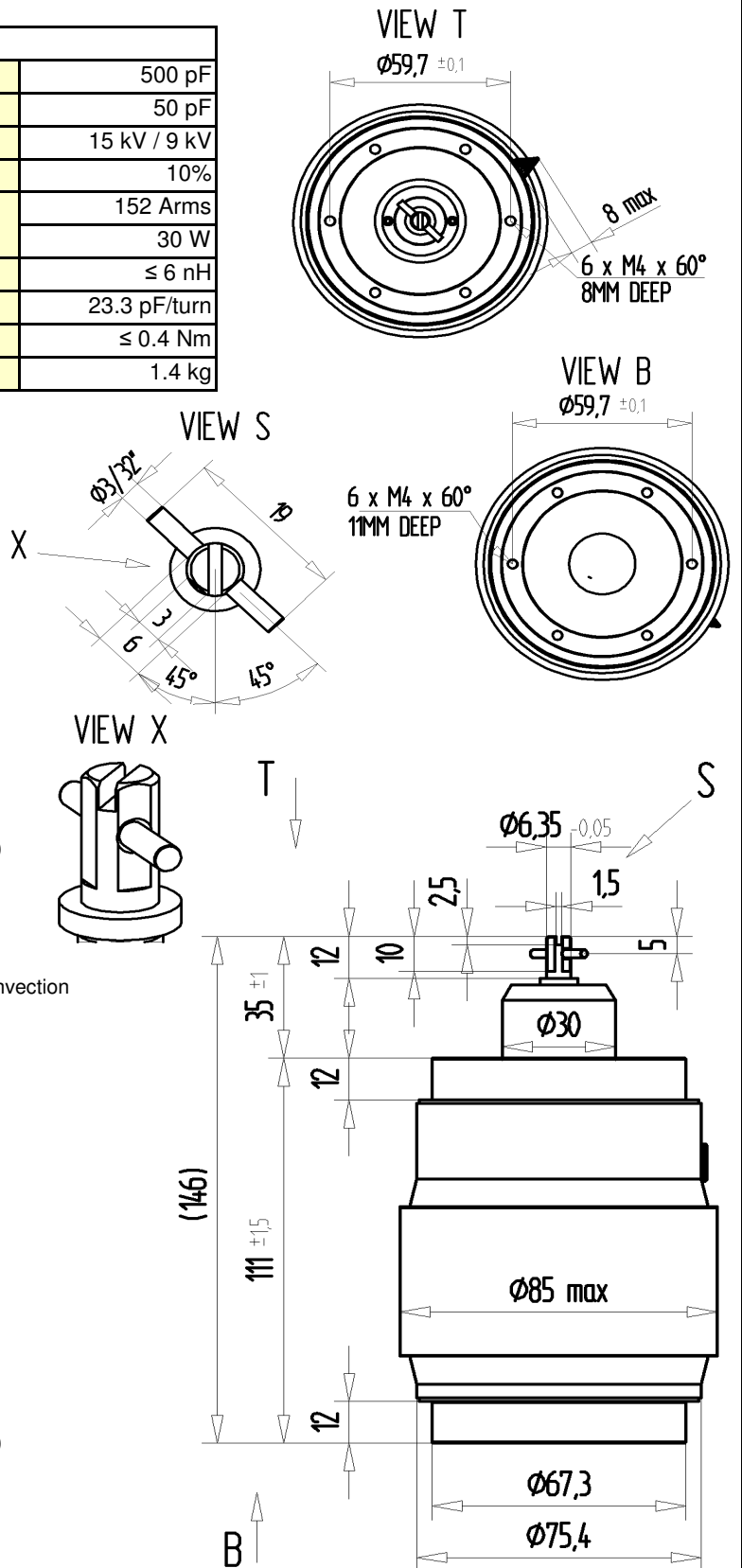
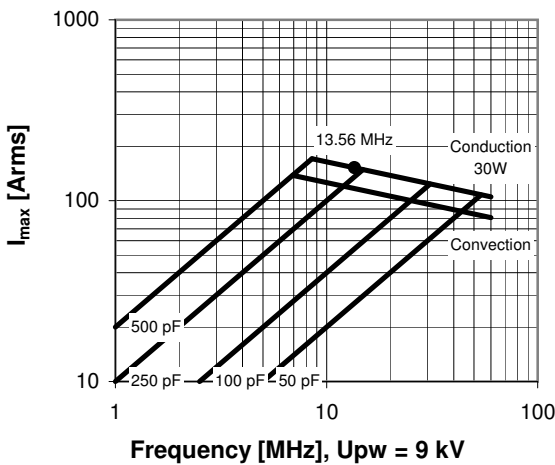


## CVHE-500AC/15-BUAA-A

Specifications	
Capacity $C_{max}$ (nominal)	500 pF
Capacity $C_{min}$ (nominal)	50 pF
Voltage (Peak Test $U_{pt}$ / Peak Working $U_{pw}$ )	15 kV / 9 kV
Capacity Tolerance (linear Range)	10%
Max. Current $I_{max}$ at 13.56 MHz with	152 Arms
Conduction Cooling	30 W
Self Inductance	$\leq 6$ nH
Capacitance per turn	23.3 pF/turn
Torque	$\leq 0.4$ Nm
Net Weight	1.4 kg



$I_{max}$  at 25°C ambient and 125°C surface temp. for convection and conduction (30 W) cooling

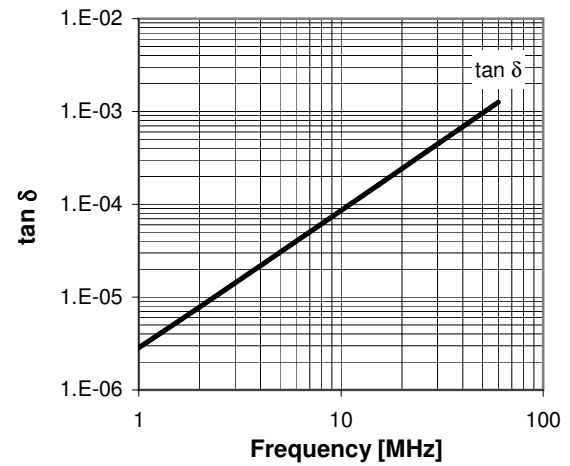
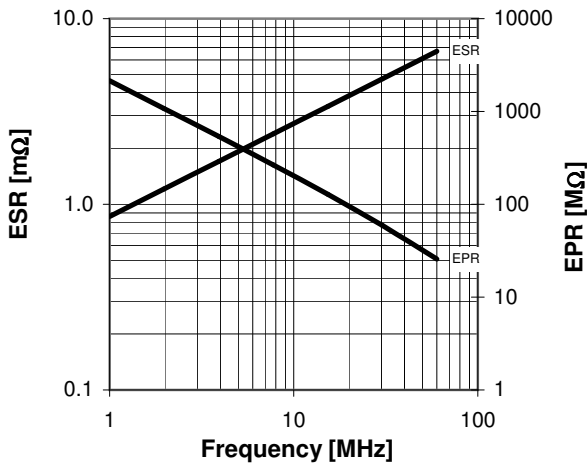
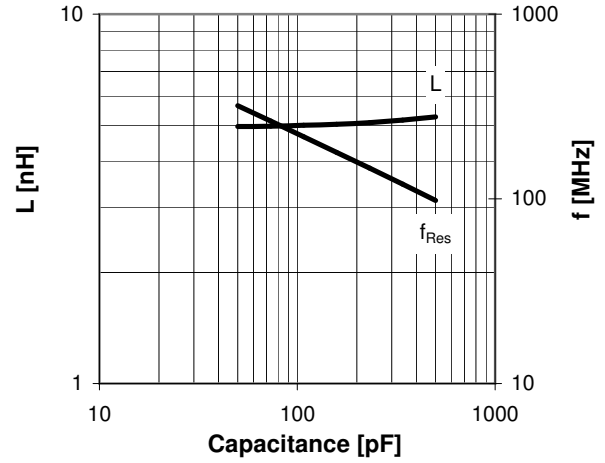


## CVHE-500AC/15-BUAA-A

Turns	Nominal Capacitance [pF]	Tolerance
-0.2	50.0	10%
0.0	52.8	0%
4.0	143.6	10%
8.0	236.1	10%
12.0	330.3	10%
16.0	424.6	10%
19.2	500.0	10%

Slamindex at  $50 \pm 1$  pF at  $-0.2 \pm 0.05$  turns  
Mechanical stop at  $> 500$  pF at  $\sim 19.4$  turns

Self inductance and resonance frequency



**Special Features:**

Slam Index